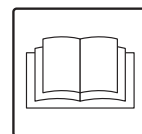


**INSTRUCTIONS MANUAL US**

**MANUAL DE INSTRUCCIONES E**



**C300 US-E**

10/2006






## - Technical specifications - Dimensions


### - Technical data

Parameter	Unit of measurement	BDC-1216	BDC-1324
Voltage	Volts / Hz	110/60	110/60
Power rating	kW	1.6	2.4
Noise level	dB(A)	78	79
Protection	NEMA	Type 2	Type 2
Insulation	Class	F	F
Capacity	gals	10.5	10.5
Inlet (diameter)	in	2	2.75
Max vacuum	in/H <sub>2</sub> O	80	80
Maximum air flow rate (without hose and reductions)	cfm	184	282
Main filter surface	sq ft	16	22.5
Hepa filter surface* (if equipped)	sq ft	32.3	32.3

-  **Note**
- Storage conditions: T : -50 ... +104°F / Humidity : ≤ 85%
  - Operating conditions: Maximum altitude 2,624 ft (up to 6,561 ft with reduced performances)  
T : -50 ... +104°F / Humidity : ≤ 85%

\* HEPA filtering according to the HEPA class of the filter installed.

### - Dimensions (fig. 3)

Model	BDC-1216	BDC-1324
A (in)	25.20	25.20
B (in)	22.44	22.44
C (in)	39.40	39.40
 lbs <sup>(1)</sup>	75.00	77.00

<sup>(1)</sup> Net weight

---

## TABLE OF CONTENTS

Technical specifications - Dimensions .....	i
<b>Instructions for use .....</b>	<b>2</b>
Operator safety .....	2
General information for using the vacuum cleaner .....	2
Proper uses .....	2
Dust emissions into the environment .....	2
General recommendations .....	2
Vacuum cleaner description - Labels .....	3
Accessories .....	3
Packing and unpacking .....	3
Setting to work - connection to the power supply .....	3
Dry applications .....	4
Maintenance and repairs .....	4
Controls and indicators .....	4
Inspection prior to starting .....	4
Starting up .....	4
Vacuum cleaner operation .....	4
Shaking the main filter .....	5
Stopping - Emergency stopping .....	5
Emptying the container .....	5
At the end of a cleaning session .....	5
Maintenance and cleaning .....	5
Filter disassembly and replacement .....	5
Filter replacement .....	6
Motor cooling fan inspection and cleaning .....	6
Tightness inspection .....	6
Vacuum cleaner disposal .....	6
Wiring diagrams .....	6
Troubleshooting .....	7
Recommended spare parts .....	7
Manufacturer Service Center .....	8

---

## Instructions for use

Read the operating instructions and comply with the important safety recommendations identified by:

 **ATTENTION DANGER !**

---

### - Operator safety

---

 **ATTENTION DANGER !**

*Before starting the vacuum cleaner, it is absolutely essential to read these operating instructions and to keep them ready at hand for consultation.*

*The vacuum cleaner can only be used by people who have experience with the way it works and who have been authorized and trained for the purpose.*

*Before using the vacuum cleaner, operators must be informed, instructed and trained on how to work it and for which substances its usage is permitted including the safe method for removing and disposing of the vacuumed material.*

---

### - General information for using the vacuum cleaner

---

Use of the vacuum cleaner is governed by the laws in force in the country where it is used.

Besides the laws in force in the country where the vacuum cleaner is used, the technical regulations for ensuring safe and correct operation must also be observed.

Do not carry out any operation that could jeopardize the safety of people, property and the environment. Comply with the safety indications and prescriptions in this instruction manual.

---

### - Proper uses

---

The vacuum cleaners described in this instruction manual are designed for industrial use.

---

### - Dust emissions into the environment

---

Indicative values of performance:

- normal version (not suitable for vacuuming hazardous dust): retains at least 99.1 % of particles with size  $\geq 3 \mu\text{m}$ .

---

### - General recommendations

---

 **ATTENTION DANGER !**

- *Risk of fire outbreaks and explosions. The vacuum cleaner can only be used when it is certain that active sources of ignition are not going to be vacuumed.*

*It is forbidden to vacuum the following materials: burning materials (embers, hot ashes, lighted cigarettes, etc.), flammable liquids, aggressive fuels (e.g. gasoline, solvents, acids, alkaline solutions, etc.).*

*It is forbidden to vacuum the following materials: explosive dust or the ones liable to ignite in a spontaneous way (such as magnesium or aluminum dusts, etc.).*

*The vacuum cleaner is not suitable for vacuuming explosive or similar substances, as established by the laws governing explosive substances, particularly: liquid fuels and mixtures of flammable dust and liquids.*

 **ATTENTION DANGER !**

*Do not use equipment to filter or collect hazardous or combustible materials.*

#### **Emergency**

*If an emergency situation occurs:*

- *filter breakage*
- *fire outbreak*
- *short-circuit*
- *motor block*
- *electric shock*
- *etc.*

*turn off the vacuum cleaner, unplug it and ask for assistance from qualified personnel.*

 **Note**

Check the substances tolerated.

 **ATTENTION DANGER !**

*The vacuum cleaners must not be used or stored outdoors, or in damp places.*

---

## - Vacuum cleaner description - Labels

---

See fig. 1.

- A - Identification plate: Code of the model, technical specifications, serial number, year of manufacture
- B - Dust container
- C - Fastening latches
- D - Handle
- E - Inlet
- F - Exhaust
- G - Attention plate for filter shaking
- H - Panel power plate
- I - Attention plate for the vacuum cleaner's use
- L - Prohibition plate for no vacuuming of combustible or dangerous materials
- M - Model plate

This vacuum cleaner creates a strong air flow which is drawn in through the inlet (E) and blows out through the outlet (F).

Before turning on the vacuum cleaner, fit the vacuum hose into the inlet and then fit the required tool on to the end part (refer to the manufacturer's accessory catalogue or Service Center). This vacuum cleaner is equipped with an internal baffle plate which subjects the vacuumed substances to a circular centrifugal movement that makes them drop into the container. The vacuum cleaner is equipped with a main filter which enables it to be used for the majority of applications.

---

## - Accessories

---

Various accessories are available; refer to the manufacturer's accessory catalogue.

 **ATTENTION DANGER !**

*Use only genuine accessories supplied and authorized by the manufacturer.*


---

## - Packing and unpacking

---

Dispose of the packing materials in compliance with the laws in force.

### - Cardboard box packing (fig. 2)

Model	BDC-1216	BDC-1324
A (in)	26.8	26.8
B (in)	24.0	24.0
C (in)	41.5	41.5
 lbs	88.0	90.0

---

## - Setting to work - connection to the power supply

---

 **ATTENTION DANGER !**

- *Make sure that the vacuum cleaner is off.*
- *Make sure that the vacuum cleaner is in perfect condition before starting work.*
- *Before plugging the vacuum cleaner into the electrical mains, make sure that the voltage rating indicated on the data plate corresponds to that of the electrical mains.*
- *Plug the vacuum cleaner into a socket with a correctly installed ground contact/connection.*
- *The plugs and connectors of the connection cables must be protected against splashed water.*
- *Make sure that connections to the electrical mains and plug are correct.*
- *Use the vacuum cleaners only when the connection cable to the electrical mains are in perfect condition (damaged cables could lead to electric shock!).*
- *Regularly check that the electric cable does not show signs of damage excessive wear, cracks or ageing.*

 **ATTENTION DANGER !**

*When the vacuum cleaner is operating, do not:*

- *Crush, pull, damage or tread on the cable that connects to the electrical mains.*
- *Only disconnect the cable from the electrical mains by removing the plug (do not pull the cable).*
- *Only replace the electric power cable with one of the same type as the original.*
- *The cable must be replaced by the manufacturer's Service Center staff or by equivalent qualified personnel.*

US

---

**⚠ ATTENTION DANGER !**

**Sockets, plugs, connectors and installation of the extension cable must maintain the protection degree of the vacuum cleaner, as indicated on the data plate.**

**⚠ ATTENTION DANGER !**

**The vacuum cleaner's power socket must be protected by a differential circuit-breaker with surge current limitation, that shuts off the power supply when the current dispersed towards ground exceeds 30 mA for 30 ms or an equivalent protection circuit.**

**⚠ ATTENTION DANGER !**

**Never spray water on the vacuum cleaner: such action constitutes a danger hazard for persons and could short circuit the power supply.**

---

**- Dry applications**

**👉 Note**

The supplied filter must be correctly installed.

---

**- Maintenance and repairs**

**⚠ ATTENTION DANGER !**

**Disconnect the vacuum cleaner from its power source before cleaning, servicing or replacing parts; the plug must be removed from the socket.**

- **Carry out only the maintenance operations described in this manual.**
- **Use only original spare parts.**
- **Do not modify the vacuum cleaner in any way.**
- **Failure to comply with these instructions could jeopardize your safety.**

**⚠ ATTENTION DANGER !**

**To carry out maintenance operations which are not described in this manual contact the manufacturer's Service Center or his sales network.**

---

**- Controls and indicators (fig. 4)**

- A - Suction motor start/stop switches  
Each switch controls a motor.
- B - Power supply voltage indicator light
  - turned on: electric power supplied;
  - turned off: electric power not supplied.

---

**- Inspection prior to starting**

Prior to starting, check that:

- The filter is installed.
- All latches are tightly locked.
- The vacuum hose "A" and tools have been correctly fitted onto the inlet "B" (fig. 5).
- The dust paper bag is installed.

**⚠ ATTENTION DANGER !**

**Do not use the vacuum cleaner if the filter is faulty.**

---

**- Starting up**

- Lock the castor brakes before starting the vacuum cleaner "E" (fig. 6).
- Operate the switches "A" (fig. 4).

---

**- Vacuum cleaner operation**

**⚠ ATTENTION DANGER !**

**Stop the vacuum cleaner before shaking the filter. Do not shake the filter while the vacuum cleaner is on, as this could damage the filter itself.**

If the main filter is clogged, the vacuuming performance is reduced. If this is the case, proceed as follows:

- Shake the main filter by means of the knob "A" (fig. 7).
- If the problem persists, replace the filter (see the "Main filter replacement" paragraph).

---

## - Shaking the main filter

---

Depending on the quantity of dust cleaned up, shake the main filter by means of the knob "A" (fig. 7) when the vacuuming performance is considerably reduced.

 **ATTENTION DANGER !**

**Stop the vacuum cleaner before shaking the filter. Do not shake the filter while the vacuum cleaner is on, as this could damage the filter itself.**

Wait before restarting the vacuum cleaner, to allow the dust to settle. Replace the filter element, if the vacuuming performance is still reduced, even after the filter has been shaken (see the "Main filter replacement" paragraph).

---

## - Stopping - Emergency stopping

---

Operate the switches "A" (fig. 4).

---

## - Emptying the container

---

 **ATTENTION DANGER !**

**Before proceeding with these operations, turn off the vacuum cleaner and remove the plug from the power socket.**

- Before emptying the container it is advisable to clean the filter (see "Shaking the main filter" paragraph).
- Release the container "A" (fig. 8), then remove and empty it.
- Make sure that the gasket is in perfect condition and correctly positioned.
- Place the container back in position and secure it again.

### Paper bag

Use the paper bag "A" (fig. 14) supplied to collect dust.

---

## - At the end of a cleaning session

---

1. Turn off the vacuum cleaner and remove the plug from the socket.
2. Wind the connection cable (fig. 9).
3. Store the vacuum cleaner in a dry place, out of reach of unauthorized people.

---

## - Maintenance and cleaning

---

 **ATTENTION DANGER !**

**IMPORTANT: the precautions described below must be taken during all the maintenance operations, including cleaning and replacing of the filter.**

- a) **To allow the user to carry out the maintenance operations, the vacuum cleaner must be disassembled, cleaned and overhauled as far as is reasonably possible, without causing hazards for the maintenance staff or other people. IMPORTANT: compartments that are not dust-tight must be opened with suitable tools (screwdrivers, wrenches, etc.) and thoroughly cleaned.**
- b) **Carry out a technical inspection at least once a year, e.g.: check the air filter to find out whether the air-tightness of the vacuum cleaner has been impaired in any way and make sure that the electric control panel operates correctly. This inspection must be carried out by the manufacturer or by a competent person.**

 **ATTENTION DANGER !**

**Use only genuine spare parts supplied and authorized by the manufacturer.**

---

## - Filter disassembly and replacement

---

 **ATTENTION DANGER !**

**Filter replacement is a serious matter. The filter must be replaced with one of identical filtering surface characteristics. Otherwise the vacuum cleaner will not operate correctly.**

---

## - Filter replacement (fig. 10)

---

Before proceeding with these operations, turn off the vacuum cleaner and remove the plug from the power socket.

- Release the stop "A" and unscrew the filter shaker knob "B".
- Release the fastening latches "C" and remove the complete head "D"; then, lift the filter "E" and remove the clamp "F", which holds the filter onto the support ring "G".
- Remove the cage "H" and turn the filter upside down.
- Untie the clamps "I" and detach the cage from the filter.
- Dispose of the filter according to the laws in force.
- Fit the new filter and secure it in the cage with special clamps.
- Assemble the components in the reverse order of disassembly.

---

## - Motor cooling fan inspection and cleaning

---

Periodically clean the motor cooling fan to prevent the motor from overheating, especially if the vacuum cleaner is used in a dusty place.

---

## - Tightness inspection

---

### - Hoses check

Check that the hose "A" is in good condition and correctly fixed (fig. 11).

If the hose is damaged, broken or badly connected to the unions, it must be replaced.

When sticky materials are treated, check for possible clogging along the hose, in the inlet and in the dust container.

Scrape the inlet from the outside and remove the deposited waste as indicated in figure 11.

### - Cover tightness check

If the gasket "A" (fig. 12) under the complete head "D" has become slack, unscrew the screws "B", which lock the fastening latches "C" in place, and allow the latter to slide downwards until the complete head "D" closes perfectly.

Now tighten the locking screws "B".

Replace the gasket "A" (fig. 12) if the degree of tightness is still not optimum.

### - Filtering chamber tightness check

If the gasket "A" (fig. 13) between the container and the filtering chamber "C" fails to guarantee tightness, proceed as follows:

- Loosen the four screws "B", which lock the filtering chamber "C" against the vacuum cleaner structure.
- Allow the filtering chamber "C" to lower down, and tighten the screws "B" once it has reached the tightness position.

The gasket must be replaced if it is torn, cut, etc., or if the degree of tightness is still not optimum.

---

## - Vacuum cleaner disposal

---

Dispose of the vacuum cleaner in compliance with the laws in force.

---

## - Wiring diagrams

---

See fig. 15.

### Wiring diagram list

Name	Part	Code
H1	Voltage lamp	8 39051
S1-S2-S3	Motor switches	8 39000
M1-M2-M3	Motors	8 54006

---

## - Troubleshooting

---

Problem	Cause	Remedy
The vacuum cleaner does not start	No current	Check if there is current in the socket Check if the plug and the cable are damaged Contact an authorized Service Center
The vacuum cleaner speed increases	Clogged main filter Clogged vacuum hose	Shake the filter. Replace it if this is not sufficient Check the vacuum hose and clean it
Dust leaks from the vacuum cleaner	Torn filter Inadequate filter	Replace it with another of identical category Replace it with another of a suitable category and check
The suction motor is noisy	Worn or broken motor carbon brushes Worn or failing motor bearings	Remove and replace the motor carbon brushes Remove and replace the vacuum motor

---

## - Recommended spare parts

---

See fig. 16.

---

**- Manufacturer Service Center**

---



**NORTH AMERICA - CANADA - SOUTH AMERICA**

**Worldwide Headquarters - UNITED STATES OF AMERICA**  
**BLASTRAC**  
2255 Cumberland Pkwy, SE - Bldg. 1400, Suite 101 - Atlanta, GA 30339  
Phone: +1-770-438-1688 - Fax: +1-770-438-1692 - e-mail: info@blastrac.com

**UNITED STATES**  
**BLASTRAC Manufacturing**  
13201 North Santa Fe Avenue - Oklahoma City - OK 73114, USA  
Tel.: +1-405-478-3440 - Fax: +1-405-478-8608 - e-mail: info@blastrac.com

**Toll-free phone number for North America only (United States, Canada, Mexico): +1-800-256-3440**

**EUROPE - MIDDLE EAST - AFRICA**

**European Headquarters - THE NETHERLANDS**  
**BLASTRAC**  
Utrechthaven 12 - NL - 3433 PN Nieuwegein  
Tel.: +31 (0)30 601 88 66 - Fax: +31 (0)30 601 83 33 - e-mail: info@blastrac.nl

**UNITED KINGDOM**  
**BLASTRAC**  
Unit 2, Outgang Lane, Dinnington - Sheffield, South Yorkshire - GB - S25 3QY, England  
Tel: +44 (0) 1909 / 569 118 - Fax: +44 (0) 1909 / 567 570 - e-mail: info@blastrac.co.uk

**GERMANY**  
**BLASTRAC**  
Mathias Brügggen Straße 144 - D - 50829 Köln (Ossendorf)  
Tel.: +49 (0) 221-70 90 32 0 - Fax: +49 (0) 221-70 90 32 22 - e-mail: info@blastrac.de

**FRANCE**  
**BLASTRAC**  
ZI - 29, Avenue des Temps Modernes - F - 86360 Chasseneuil du Poitou  
Tel.: +33 (0)5 49 00 49 20 - Fax: +33 (0)5 49 00 49 21 - e-mail: info@blastrac.fr

**SPAIN**  
**BLASTRAC**  
Calle Copernico, 16 - Nave 2 - E - 28820 Coslada  
Tel.: +34 91 660 10 65 - Fax: +34 91 672 72 11 - e-mail: info@blastrac.com.es

**PORTUGAL**  
**BLASTRAC**  
Rua do Barril, Edificio Zuzu, Loja P - Apartado 30 - Mourisca da Vouga - P - 3750-782 Trofa Agueda  
Tel.: +351 234 648 280 - Fax: +351 234 648 299 - e-mail: info@blastrac.po

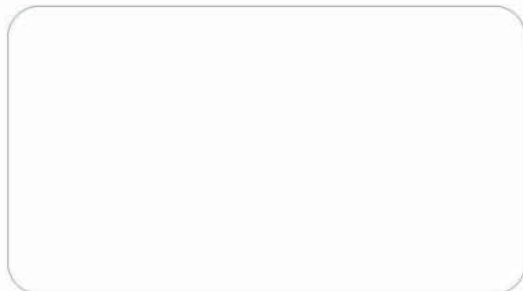
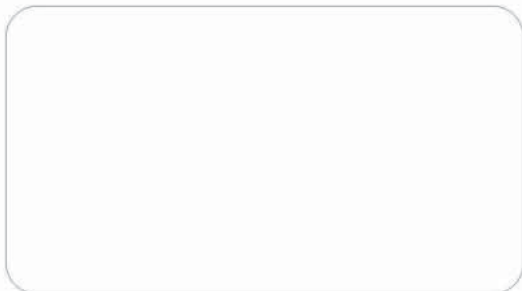
**ASIA - PACIFIC - AUSTRALIA**

**CHINA**  
**Shanghai BLASTRAC - Equipment Manufacturer Co Ltd**  
No. 58, Lane 99, Chun Guang Road - Xin Zhuang Industrial Zone - Shanghai 201108  
Tel.: +86 / 21-5442-4290 - Fax: +86 / 21-5442-5006 - info.shanghai@surfacepreparation.com.cn

**CHINA**  
**International Surface Preparation Asia Ltd**  
Room 827, Guo Tou Plaza - No. 7 Fu Cheng Men Wai Street - Xi Cheng District - Beijing 100037  
Tel.: +86 / 10-6800-3266 - Fax: +86 / 10-6800-3266 - info.beijing@surfacepreparation.com.cn

**THAILAND**  
**International Surface Preparation Asia (Thailand) Limited**  
Unit D1, 21/F, 719 KPN Tower - Rama 9 Road, Bangkapi, Huaykhong - Bangkok 10320  
Tel.: +66 / 2-717-1342 - Fax: +66 / 2-717-1341 - info@blastrac.com.hk

**MALAYSIA**  
**ISPC Surface Preparation Asia**  
20C, Room 1B, Jalan Tun Dr.Awangli - Bayan Lepas Penang 11900  
Tel: +604 / 641-2885 - Fax: +604 / 641-3005 - info.penang@surfacepreparation.com.my






## - Especificaciones técnicas - Dimensiones


### - Información técnica

Parámetro	Unidad de medida	BDC-1216	BDC-1324
Tensión	Volts/Hz	110/60	110/60
Nivel de potencia	kW	1,6	2.4
Nivel de ruido	dB(A)	78	79
Protección	NEMA	Tipo 2	Tipo 2
Aislamiento	Clase	F	F
Capacidad	galones	10,5	10.5
Toma de admisión (diámetro)	pulgadas	2	2.75
Aspiración máx.	in/H <sub>2</sub> O	80	80
Nivel máximo de corriente de aire (sin tubo ni reducciones)	pie cúbico por minuto	184	282
Superficie del filtro principal	pies cuadrados	16	22.5
Superficie del filtro Hepa* (si está equipado)	pies cuadrados	32,3	32.3

-  **Aviso** - Condiciones de almacenamiento: T : -50 ... +104°F / Humedad : ≤ 85%  
- Condiciones de funcionamiento: Altitud máxima: 2.624 pies (hasta 6.561 pies en rendimiento reducido)  
T : -50 ... +104°F / Humedad : ≤ 85%

\* filtración HEPA según la clase HEPA del filtro instalado.

### - Dimensiones (fig. 3)

Modelo	BDC-1216	BDC-1324
A (pulgadas)	25,20	25,20
B (pulgadas)	22,44	22,44
C (pulgadas)	39,40	39,40
 libras <sup>(1)</sup>	75,00	77,00

<sup>(1)</sup> Peso neto

## INDICE

Especificaciones técnicas - Dimensiones .....	i
<b>Instrucciones de uso .....</b>	<b>2</b>
Uso seguro .....	2
Información general para usar la aspiradora .....	2
Usos correctos .....	2
Emisiones de polvo en el ambiente .....	2
Recomendaciones generales .....	2
Descripción de la aspiradora - Etiquetas .....	3
Accesorios .....	3
Embalaje y desembalaje .....	3
Empezar a utilizarla - conexión a la fuente de alimentación .....	3
Uso con sustancias secas .....	4
Mantenimiento y reparaciones .....	4
Controles e indicadores .....	4
Inspección previa a la puesta en marcha .....	4
Arranque .....	4
Funcionamiento de la aspiradora .....	4
Sacudimiento del filtro principal .....	5
Parada - Parada de emergencia .....	5
Vaciado del contenedor .....	5
Al final de la sesión de limpieza .....	5
Mantenimiento y limpieza .....	5
Desmontaje y sustitución del filtro .....	5
Sustitución del filtro .....	6
Inspección y limpieza del ventilador refrigerador del motor .....	6
Inspección del hermetismo .....	6
Eliminación de la aspiradora .....	6
Esquemas de conexiones .....	6
Solución de problemas .....	7
Recambios recomendados .....	7
Centro de Mantenimiento del fabricante .....	8

---

## Instrucciones de uso

Léa las instrucciones de funcionamiento y cumpla las importantes recomendaciones de seguridad identificadas por:

 **ATENCIÓN, PELIGRO !**

---

### - Seguridad del usuario

 **ATENCIÓN, PELIGRO !**

*Es muy importante que lea estas instrucciones de funcionamiento antes de poner en marcha la aspiradora y las tenga a mano por si necesitara consultarlas.*

*Sólo pueden utilizar la aspiradora aquellas personas que conozcan bien su funcionamiento, hayan recibido la formación adecuada y hayan sido explícitamente autorizadas para este propósito.*

*Antes de usar la aspiradora, la persona que vaya a utilizarla debe estar informada y haber recibido las instrucciones y la formación adecuadas sobre el funcionamiento del aparato y sobre las sustancias con las que está permitido su uso, así como el modo correcto de extraer y desechar el material aspirado.*

---

### - Información general para usar la aspiradora

La utilización de la aspiradora está regida por las leyes vigentes en el país donde se utiliza.

Además de las leyes vigentes en el país donde la aspiradora se utiliza, deberán cumplirse también las normas técnicas que garanticen un funcionamiento seguro y correcto de la aspiradora.

No realice ninguna operación que pueda poner en peligro la seguridad de las personas, la propiedad o el medioambiente.

Siga las indicaciones de seguridad que se especifican en este manual de instrucciones.

---

### - Usos correctos

Las aspiradoras que se describen en este manual de instrucciones están diseñadas para uso industrial.

---

### - Emisiones de polvo en el ambiente

Valores indicativos de rendimiento:

- versión normal (no apta para aspirar polvos de materiales peligrosos): retiene un mínimo de 99,1 % de partículas que midan  $\geq 3 \mu\text{m}$ .

---

### - Recomendaciones generales

 **ATENCIÓN, PELIGRO !**

- **Riesgo de incendios y explosiones.** Sólo debe utilizar la aspiradora cuando esté seguro de que no succionará materiales que puedan ser causa de deflagración. Queda prohibido aspirar los siguientes materiales: materiales de combustión (brasas, cenizas aún calientes, cigarrillos encendidos, etc.), líquidos inflamables, combustibles corrosivos (por ejemplo, gasolina, disolventes, ácidos o soluciones alcalinas). Queda prohibido aspirar los siguientes materiales: polvo de materiales explosivos o que puedan inflamarse fácilmente de forma espontánea (como el polvo de magnesio, de aluminio, etc.). La aspiradora no se puede utilizar para succionar sustancias explosivas o similares, como se establece en la legislación referente a sustancias explosivas, y más concretamente: combustibles líquidos y mezclas de polvos y líquidos inflamables.

 **ATENCIÓN, PELIGRO !**

**No utilice el sistema para aspirar y recoger materiales peligrosos o combustibles.**

#### **Emergencia**

**En caso de emergencia:**

- rotura del filtro
- incendio
- cortocircuito
- bloqueo del motor
- descarga eléctrica
- etc.

**apague la aspiradora, desconéctela de la corriente eléctrica y solicite la asistencia de personal técnico cualificado.**

 **Aviso**

Compruebe las sustancias toleradas.

 **ATENCIÓN, PELIGRO !**

**No utilice ni guarde las aspiradoras en el exterior ni en lugares húmedos.**

## - Descripción de la aspiradora - Etiquetas

Véase el gráfico 1.

- A - Placa identificativa: Código del modelo, especificaciones técnicas, número de serie, año de fabricación
- B - Contenedor de polvo
- C - Ganchos de cierre
- D - Manilla
- E - Toma de admisión
- F - Tubo de escape
- G - Placa de atención para el sacudimiento del filtro
- H - Placa panel de alimentación
- I - Placa de atención para la utilización de la aspiradora
- L - Placa de prohibición aspiración materiales combustibles o peligrosos
- M - Placa con modelo

Esta aspiradora crea una potente corriente de aire que entra a través de la toma de admisión (E) y sale por el tubo de escape (F). Antes de poner en marcha la aspiradora, ensamble el tubo de succión en la toma de admisión y, a continuación, añada la herramienta que necesite en el extremo (consulte el catálogo de accesorios del fabricante o póngase en contacto con el Centro de Mantenimiento). Esta aspiradora está equipada con un deflector interno que atrae las sustancias aspiradas en un movimiento circular centrífugo que las deposita en el contenedor. La aspiradora posee un filtro principal que se puede utilizar para la mayoría de aplicaciones.

## - Accesorios

Hay disponibles varios accesorios; consulte el catálogo de accesorios del fabricante.


### ATENCIÓN, PELIGRO !

**Utilice solamente accesorios originales proporcionados y autorizados por el fabricante.**

## - Embalaje y desembalaje

Deseche los materiales del embalaje conforme a la legislación vigente.

### - Caja de cartón del embalaje (figura 2)

Modelo	BDC-1216	BDC-1324
A (pulgadas)	26,8	26,8
B (pulgadas)	24,0	24,0
C (pulgadas)	41,5	41,5
 libras	88,0	90,0

## - Empezar a utilizarla - conexión a la fuente de alimentación

### ATENCIÓN, PELIGRO !

- **Compruebe que la aspiradora esté apagada.**
- **Asegúrese de que la aspiradora está en perfecto estado antes de empezar a utilizarla.**
- **Antes de conectar la aspiradora a la corriente eléctrica, asegúrese de que la tensión límite indicada en la placa de datos se corresponde con la de la corriente eléctrica.**
- **Conecte la aspiradora al enchufe mediante una conexión con toma de tierra correctamente instalada.**
- **Las clavijas y los conectores de los cables de conexión deben estar protegidos contra las salpicaduras de agua.**
- **Compruebe que las conexiones a la corriente eléctrica y la clavija se encuentran en el debido estado.**
- **Utilice la aspiradora sólo cuando los cables de conexión a la corriente eléctrica estén en perfecto estado (unos cables dañados podrían ser causa de descargas eléctricas).**
- **Compruebe periódicamente que el cable eléctrico no muestra signos de excesivo desgaste, rajaduras o envejecimiento.**

### ATENCIÓN, PELIGRO !

**Cuando la aspiradora esté funcionando, no:**

- **Aplaste, dañe, pise ni tire del cable que conecta el aparato a la corriente eléctrica.**
- **Para desconectar el cable de la corriente eléctrica, tire de la clavija (no tire del cable).**
- **Si tiene que sustituir el cable, utilice otro del mismo tipo que el original.**
- **El cable debe ser sustituido por el personal del Centro de Mantenimiento del fabricante o personal cualificado equivalente.**

---

**⚠ ATENCIÓN, PELIGRO !**

*Los enchufes, clavijas, conectores e instalación de los cables de extensión deben mantener el grado de protección de la aspiradora, como se indica en la placa informativa.*

**⚠ ATENCIÓN, PELIGRO !**

*La toma de corriente de la aspiradora debe estar protegida con un diferencial con limitador de subidas de tensión que desconecte el alimentador eléctrico cuando la corriente hacia tierra exceda los 30 mA por 30 ms o circuito de protección equivalente.*

**⚠ ATENCIÓN, PELIGRO !**

*Nunca rocíe con agua la aspiradora: si lo hace, será un peligro para las personas y podría producirse un cortocircuito en la corriente eléctrica.*

---

**- Uso con sustancias secas**

**👉 Aviso**

El filtro debe estar correctamente instalado.

---

**- Mantenimiento y reparaciones**

**⚠ ATENCIÓN, PELIGRO !**

*Desconecte la aspiradora de la fuente de alimentación antes de limpiarla, realizar tareas de mantenimiento o sustituir piezas; es preciso desconectar la clavija del enchufe.*

- *Realice sólo las operaciones de mantenimiento descritas en este manual.*
- *Utilice sólo recambios originales.*
- *No realice modificaciones de ningún tipo en la aspiradora.*
- *El incumplimiento de estas instrucciones podría poner en peligro su seguridad.*

**⚠ ATENCIÓN, PELIGRO !**

*Para realizar operaciones de mantenimiento no descritas en este manual, póngase en contacto con el Centro de Mantenimiento del fabricante o con su red de vendedores.*

---

**- Controles e indicadores (fig. 4)**

- A - Interruptores para arranque/detención del motor de succión  
Cada interruptor controla un motor.
- B - Indicador lumínico tensión de alimentación
  - encendido: alimentación eléctrica proporcionada;
  - apagado: alimentación eléctrica no proporcionada.

---

**- Inspección previa a la puesta en marcha**

Antes de empezar, compruebe que:

- el filtro está instalado;
- todos los pasadores están bien cerrados;
- el tubo de vacío "A" y los dispositivos están bien ajustados en la toma de aspiración "B" (fig. 5);
- la bolsa de papel para el polvo está instalada.

**⚠ ATENCIÓN, PELIGRO !**

*No utilice la aspiradora si el filtro es defectuoso.*

---

**- Arranque**

- Bloquee los frenos de la rueda antes de poner en marcha la aspiradora "E" (fig. 6).
- Pulsar los interruptores "A" (fig. 4).

---

**- Funcionamiento de la aspiradora**

**⚠ ATENCIÓN, PELIGRO !**

*Detenga la aspiradora antes de sacudir el filtro. No sacuda el filtro cuando la aspiradora esté encendida, ya que esto podría dañar dicho filtro.*

Si el filtro principal está obstruido, la capacidad de aspiración se reduce. En este caso, efectuar el procedimiento siguiente:

- Utilice el tirador "A" para sacudir el filtro principal (fig. 7).
- Si el problema sigue existiendo, sustituir el filtro (véase el apartado "Sustitución del filtro principal").

---

### - Sacudimiento del filtro principal

---

Utilice el tirador "A" (fig. 7) para sacudir el filtro principal según la cantidad de polvo aspirado cuando la capacidad de aspiración esté considerablemente reducida.

#### ATENCIÓN, PELIGRO !

**Detenga la aspiradora antes de sacudir el filtro. No sacuda el filtro cuando la aspiradora esté encendida, ya que esto podría dañar dicho filtro.**

Espere unos instantes antes de volver a encender la aspiradora para que el polvo se asiente en el fondo del contenedor. Si la capacidad de aspiración permanece reducida después de haber sacudido el filtro, sustitúyalo por otro nuevo (véase el apartado "Sustitución del filtro principal").

---

### - Parada - Parada de emergencia

---

Pulsar los interruptores "A" (fig. 4).

---

### - Vaciado del contenedor

---

#### ATENCIÓN, PELIGRO !

**Antes de realizar estas operaciones, apague la aspiradora y desconecte la clavija de la toma de corriente.**

- Le aconsejamos que limpie el filtro antes de vaciar el contenedor (véase el apartado "Sacudimiento del filtro principal").
- Desencaje el contenedor "A" (fig. 8), extráigalo y vacíelo.
- Compruebe que la junta esté en perfecto estado y bien colocada.
- Coloque el contenedor en su lugar y vuelva a fijarlo en su posición.

#### Bolsa de papel

Utilice la bolsa de papel "A" (fig 14) en dotación para recoger el polvo.

---

### - Al final de la sesión de limpieza

---

1. Apague la aspiradora y desconecte la clavija del enchufe.
2. Enrolle el cable de conexión (fig. 9).
3. Guarde la aspiradora en un lugar seco, fuera del alcance de personal no autorizado.

---

### - Mantenimiento y limpieza

---

#### ATENCIÓN, PELIGRO !

**IMPORTANTE: las precauciones que se describen a continuación deben respetarse durante las operaciones de mantenimiento, incluidas la limpieza o sustitución del filtro.**

a) **Para que el usuario pueda realizar las operaciones de mantenimiento, la aspiradora deberá estar desmontada, limpia y revisada, en la medida de lo razonable, sin que represente un peligro para el personal de mantenimiento ni para otras personas.**

**IMPORTANTE: abrir los compartimentos que no sean herméticos con las herramientas adecuadas (destornilladores, llaves inglesas, etc.) y limpiarlos en profundidad.**

b) **Efectúe una inspección técnica como mínimo una vez al año: verifique los filtros de aire y compruebe que las características herméticas de la aspiradora no hayan sufrido ningún daño. Corrobore que el panel de control eléctrico funciona correctamente. La inspección deberá llevarla a cabo el fabricante o personal cualificado.**

#### ATENCIÓN, PELIGRO !

**Utilice solamente recambios originales proporcionados y autorizados por el fabricante.**

---

### - Desmontaje y sustitución del filtro

---

#### ATENCIÓN, PELIGRO !

**La sustitución del filtro es un asunto muy importante.**

**El filtro debe ser sustituido por otro con idénticas características de superficie de filtración. De no ser así, la aspiradora no funcionaría correctamente.**

---

## - Sustitución del filtro (fig. 10)

---

Antes de realizar estas operaciones, apague la aspiradora y desconecte la clavija de la toma de corriente.

- Desenganche el retén "A" y afloje el tirador "B" del agitador del filtro.
- Desenganche los ganchos de cierre "C" y extraiga la cabeza completa "D", luego levante el filtro "E" y extraiga la abrazadera "F" que sujeta el filtro en el anillo "G".
- Extraiga la caja "H" y ponga el filtro al revés.
- Desenganche las abrazaderas "I" y separe la caja del filtro.
- Deseche el filtro según la legislación vigente.
- Coloque el nuevo filtro y fíjelo en la caja con las abrazaderas especiales.
- Coloque los componentes del modo inverso a su extracción.

---

## - Inspección y limpieza del ventilador refrigerador del motor

---

Limpie periódicamente el ventilador refrigerador del motor para prevenir que el motor se sobrecaliente, especialmente si la aspiradora se utiliza en zonas muy polvorientas.

---

## - Inspección del hermetismo

---

### - Comprobación de los tubos

Compruebe que el tubo "A" está en buen estado y bien fijado (fig. 11).

Si el tubo estuviera dañado, roto o mal conectado en los puntos de unión, deberá ser reemplazado.

Cuando aspire materiales pegajosos, compruebe que no haya obstrucciones en el tubo, en la toma de admisión y en el contenedor de polvo.

Limpie la toma de admisión por fuera y extraiga los desechos que se hayan depositado en ella, como se indica en la figura 11.

### - Comprobación del hermetismo de la tapa

Si la junta "A" (fig. 12) bajo la cabeza completa "D" se ha aflojado, desenrosque los tornillos "B" que sujetan los ganchos de cierre "C" y haga deslizar los ganchos hacia abajo hasta que la cabecera se cierre perfectamente.

Apriete los tornillos de fijación "B".

Sustituya la junta "A" (fig. 12) si la cubierta no está perfectamente hermética.

### - Comprobación de las características herméticas de la cámara de filtrado

Si la junta "A" (fig. 13) entre el contenedor y la cámara de filtrado "C" no está hermética:

- Afloje los cuatro tornillos "B" que fijan la cámara de filtrado "C" a la estructura de la aspiradora.
- Deje que la cámara de filtrado "C" baje y vuelva a apretar los tornillos "B" cuando haya alcanzado una posición hermética.

Sustituya la junta cuando esté rota, presente cortes, etc. o si la cámara todavía no está perfectamente hermética.

---

## - Eliminación de la aspiradora

---

Deseche la aspiradora conforme a la legislación vigente.

---

## - Esquemas de conexiones

---

Véase el gráfico 15.

### Leyenda del esquema de conexión

Nombre	Pieza	Código
H1	Indicador lumínico tensión	8 39051
S1-S2-S3	Interruptores motores	8 39000
M1-M2-M3	Motores	8 54006

---

## - Resolución de problemas

---

Problema	Causa	Solución
La aspiradora no se pone en marcha	Falta de corriente	Compruebe si hay corriente en el enchufe Compruebe que la clavija y el cable no estén dañados Póngase en contacto con el Centro de Mantenimiento autorizado
La velocidad de la aspiradora aumenta	El filtro principal está obstruido El tubo de vacío está bloqueado	Mueva el filtro Si esta acción no fuera suficiente, sustitúyalo por otro Compruebe el tubo de vacío y límpielo
Sale polvo de la aspiradora	Filtro roto Filtro incorrecto	Sustitúyalo por otro filtro del mismo tipo Sustitúyalo por otro filtro del tipo correcto y compruebe el funcionamiento
Motor de succión ruidoso	Escobillas de carbón del motor gastadas o rotas Cojinetes del motor desgastados o defectuosos	Extraiga y sustituya las escobillas de carbón del motor Quite y sustituya el motor de aspiración

---

## - Recambios recomendados

---

Véase el gráfico 16.

---

**- Centro de Mantenimiento del fabricante**

---



**NORTH AMERICA - CANADA - SOUTH AMERICA**

**Worldwide Headquarters - UNITED STATES OF AMERICA**  
**BLASTRAC**  
2255 Cumberland Pkwy. SE - Bldg. 1400, Suite 101 - Atlanta, GA 30339  
Phone: +1-770-438-1688 - Fax: +1-770-438-1692 - e-mail: info@blastrac.com

**UNITED STATES**  
**BLASTRAC Manufacturing**  
13201 North Santa Fe Avenue - Oklahoma City - OK 73114, USA  
Tel.: +1-405-478-3440 - Fax: +1-405-478-8608 - e-mail: info@blastrac.com

**Toll-free phone number for North America only (United States, Canada, Mexico): +1-800-256-3440**

**EUROPE - MIDDLE EAST - AFRICA**

**European Headquarters - THE NETHERLANDS**

**BLASTRAC**  
Utrechthaven 12 - NL - 3433 PN Nieuwegein  
Tel.: +31 (0)30 601 88 66 - Fax: +31 (0)30 601 83 33 - e-mail: info@blastrac.nl

**UNITED KINGDOM**

**BLASTRAC**  
Unit 2, Outgang Lane, Dinnington - Sheffield, South Yorkshire - GB - S25 3QY, England  
Tel: +44 (0) 1909 / 569 118 - Fax: +44 (0) 1909 / 567 570 - e-mail: info@blastrac.co.uk

**GERMANY**

**BLASTRAC**  
Mathias Brügggen Straße 144 - D - 50829 Köln (Ossendorf)  
Tel.: +49 (0) 221-70 90 32 0 - Fax: +49 (0) 221-70 90 32 22 - e-mail: info@blastrac.de

**FRANCE**

**BLASTRAC**  
ZI - 29, Avenue des Temps Modernes - F - 86360 Chasseneuil du Poitou  
Tel.: +33 (0)5 49 00 49 20 - Fax: +33 (0)5 49 00 49 21 - e-mail: info@blastrac.fr

**SPAIN**

**BLASTRAC**  
Calle Copernico, 16 - Nave 2 - E - 28820 Coslada  
Tel.: +34 91 660 10 65 - Fax: +34 91 672 72 11 - e-mail: info@blastrac.com.es

**PORTUGAL**

**BLASTRAC**  
Rua do Barril, Edificio Zuzu, Loja P - Apartado 30 - Mourisca da Vouga - P - 3750-782 Trofa Agueda  
Tel.: +351 234 648 280 - Fax: +351 234 648 299 - e-mail: info@blastrac.po

**ASIA - PACIFIC - AUSTRALIA**

**CHINA**

**Shanghai BLASTRAC - Equipment Manufacturer Co Ltd**  
No. 58, Lane 99, Chun Guang Road - Xin Zhuang Industrial Zone - Shanghai 201108  
Tel.: +86 / 21-5442-4290 - Fax: +86 / 21-5442-5006 - info.shanghai@surfacepreparation.com.cn

**CHINA**

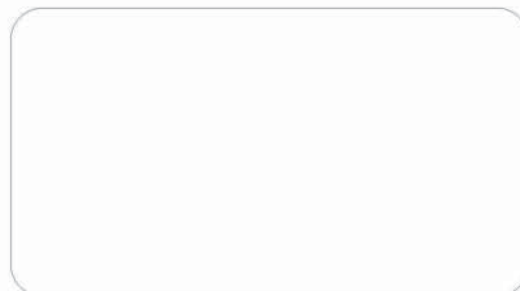
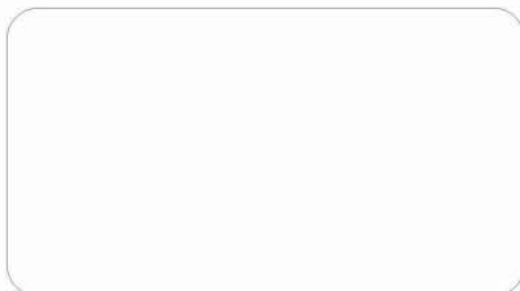
**International Surface Preparation Asia Ltd**  
Room 827, Guo Tou Plaza - No. 7 Fu Cheng Men Wai Street - Xi Cheng District - Beijing 100037  
Tel.: +86 / 10-6800-3266 - Fax: +86 / 10-6800-3266 - info.beijing@surfacepreparation.com.cn

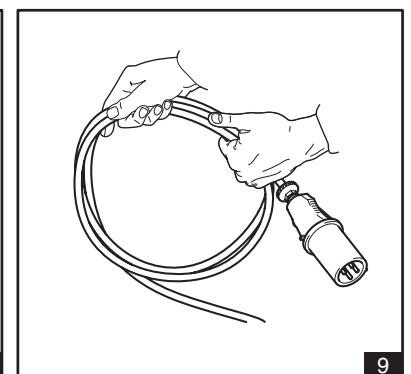
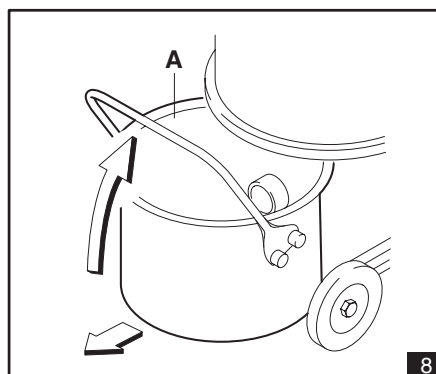
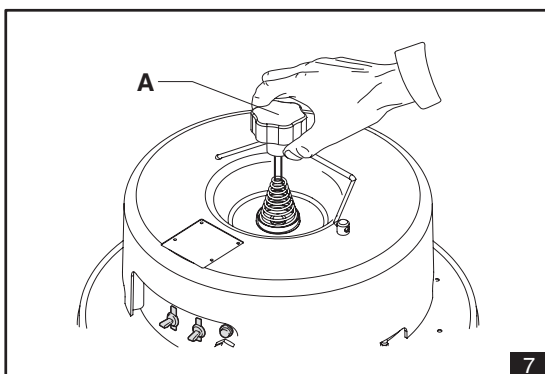
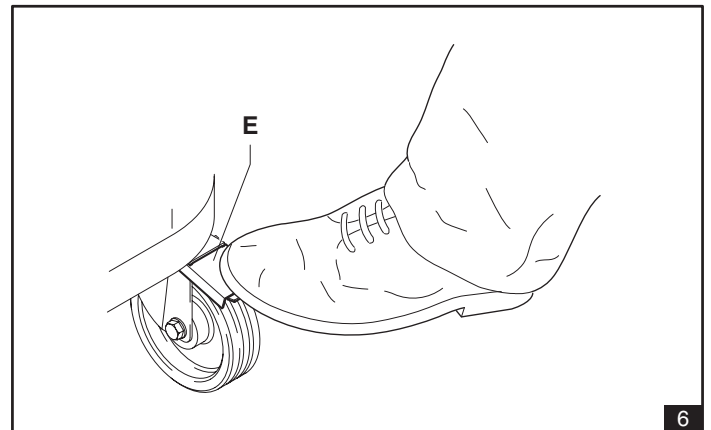
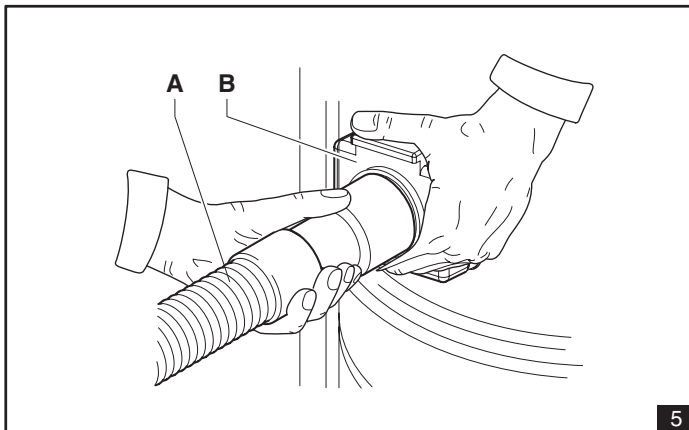
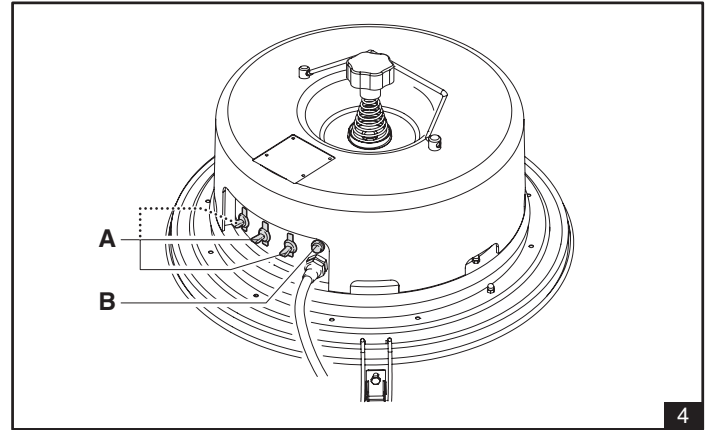
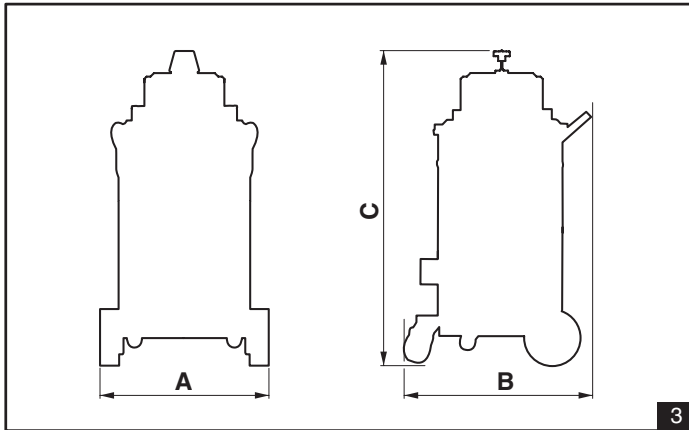
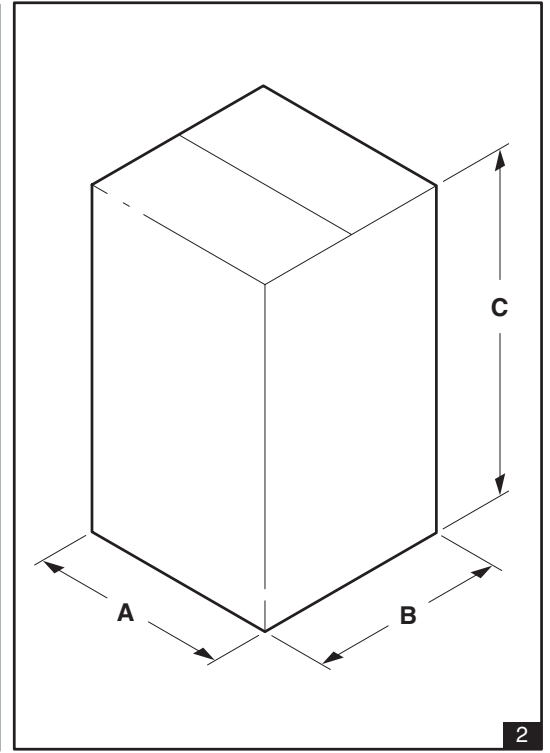
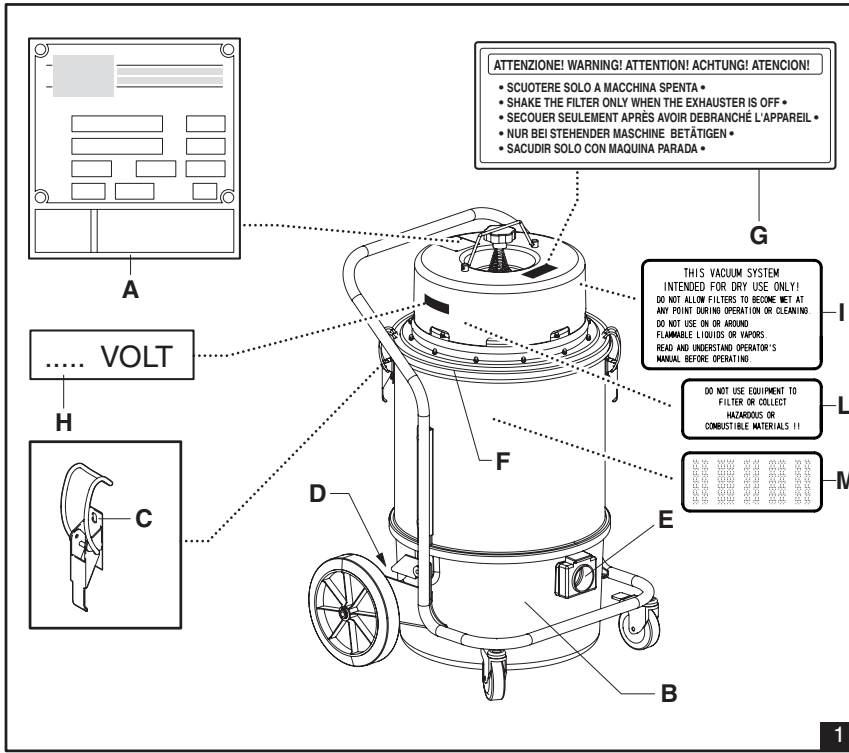
**THAILAND**

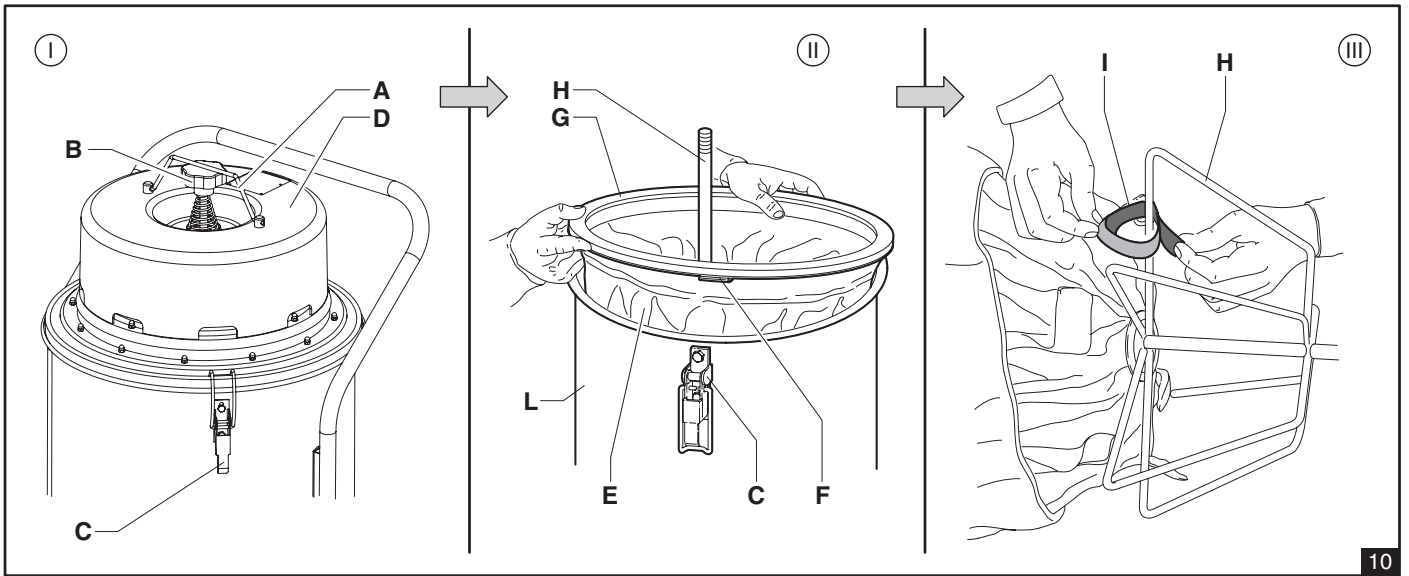
**International Surface Preparation Asia (Thailand) Limited**  
Unit D1, 21/F, 719 KPN Tower - Rama 9 Road, Bangkapi, Huaykhong - Bangkok 10320  
Tel.: +66 / 2-717-1342 - Fax: +66 / 2-717-1341 - info@blastrac.com.hk

**MALAYSIA**

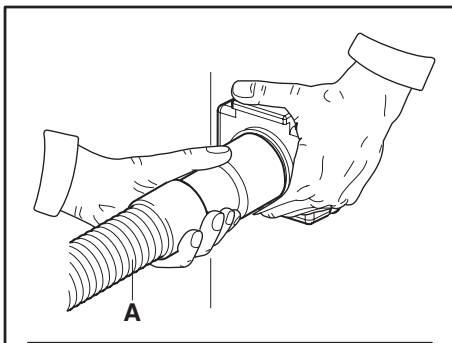
**ISPC Surface Preparation Asia**  
20C, Room 1B, Jalan Tun Dr.Awangli - Bayan Lepas Penang 11900  
Tel: +604 / 641-2885 - Fax: +604 / 641-3005 - info.penang@surfacepreparation.com.my



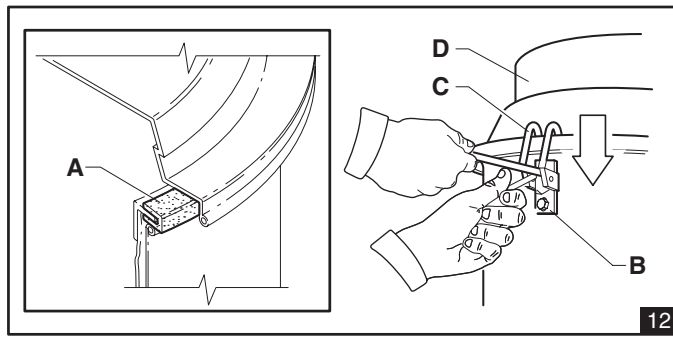




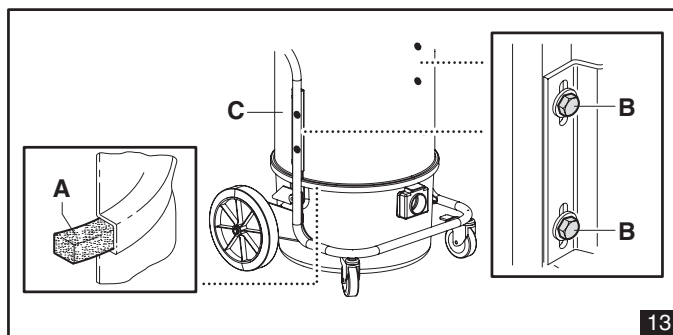
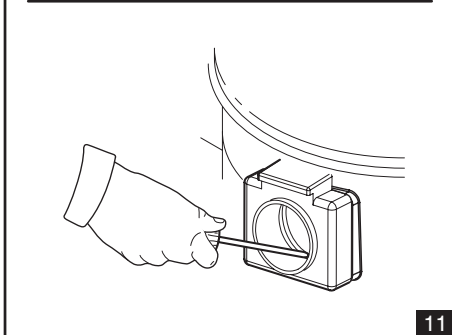
10



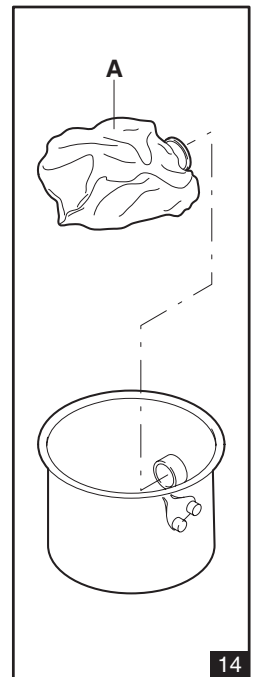
11



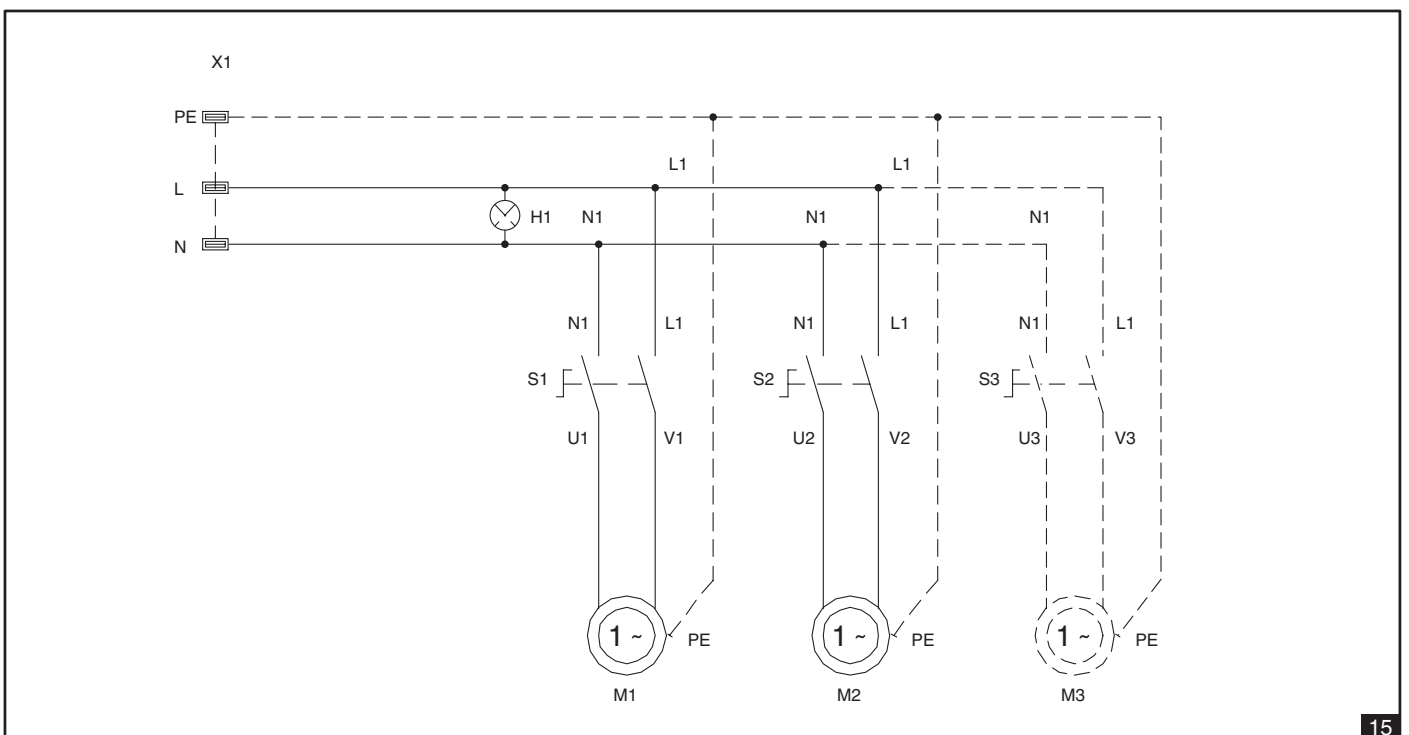
12



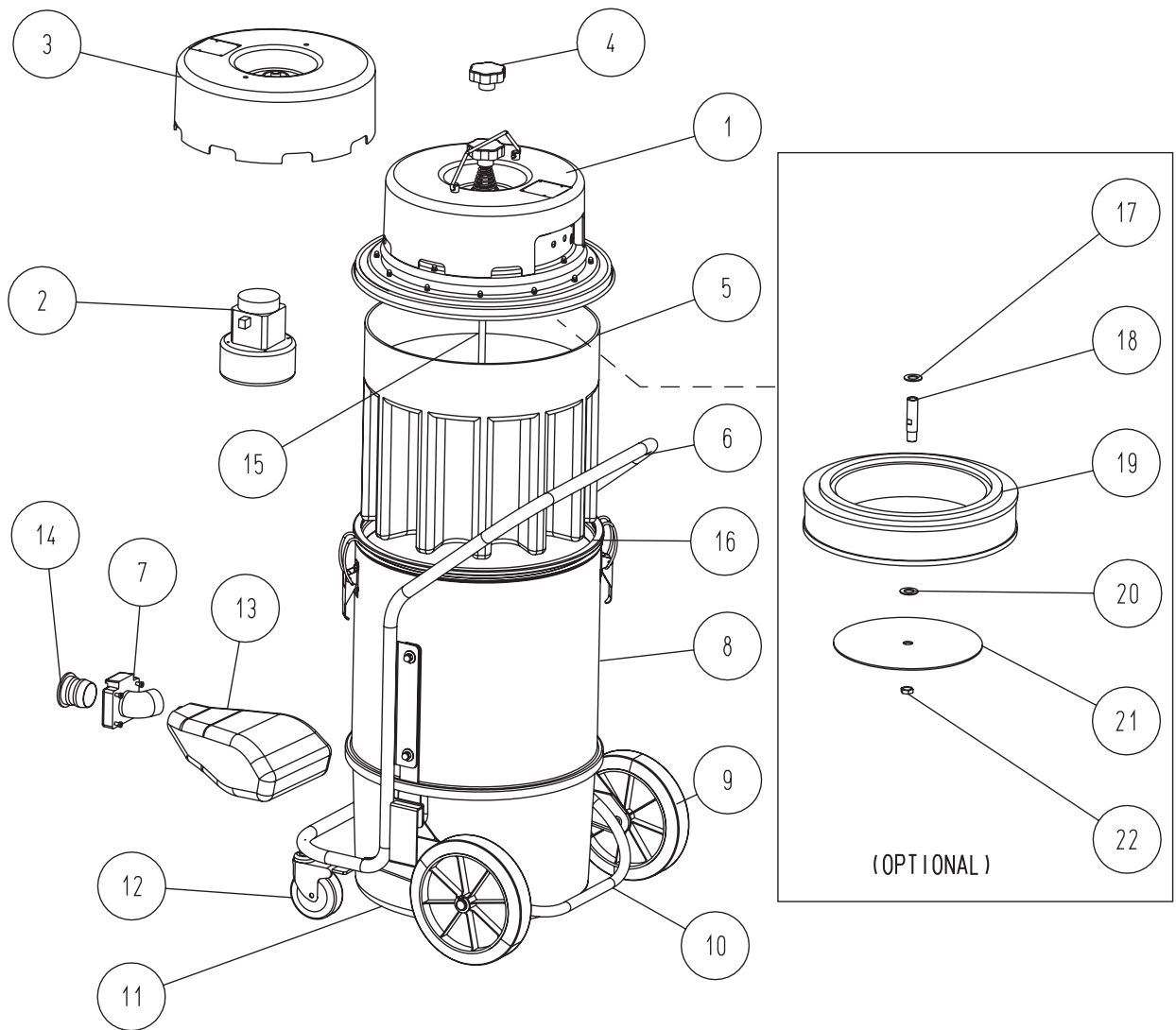
13



14



15



BDC-1216 SPARE PARTS  
BDC-1216 PIEZAS DE REPUESTO

N°	P/N-CODIGO	DESCRIPTION	DENOMINACIONES
1	S08BL531216V11	COMPLETE HEAD	CABEZA COMPLETA
2	8 54006	MOTOR	MOTOR
3	8 16382	COVER	TAPA
4	8 40027	KNOB	PULSADOR
5	8 17767	FILTER	FILTRO
6	8 36362	FRAME	BASTIDOR
7	N1407204510	INLET	BOCA ASPIRACION
8	8 31690	CONTAINER	DEPOSITO
9	8 40889	WHEEL	RUEDA
10	8 18967	LEVER	PALANCA
11	8 30332	CONTAINER	DEPOSITO
12	8 40395	WHEEL	RUEDA
13	N1470745010	BAG	SACO
14	N1403304000	HOSE INLET	TUBO
15	8 33093	CAGE	JAULA
16	8 17026	SEAL	JUNTA

(OPTIONAL)

HEPA FILTER KIT  
KIT FILTRO HEPA

P/N-CODIGO 5 60357 (17,18,19,20,21,22)

N°	P/N-CODIGO	DESCRIPTION	DENOMINACIONES
17	BR018ZB	WASHER	ARANDELA
18	8 14621	SPACER	ESPACIADOR
19	8 17455	HEPA FILTER	FILTRO HEPA
20	8 38054	WASHER	ARANDELA
21	8 15168	DISC	DISCO
22	8 14052	NUT	TUERCA

