

# *MPS-1027E/460V*

Original Operating Instructions  
Version 1.0

Operating Instructions



Diamatic  
622 Grant Rd  
Folcroft, PA 19032  
Tel: +1 619-295-0893





The Choice of Professionals

## Table of Contents

1. Introduction-----	3
2. Safety Information-----	3
3. Operation-----	4
4. Maintenance-----	5
5. Technical Data -----	6
6. Spare Parts -----	7
6.1 MPS-1027E-----	7
Table 6.1 MPS-1027E spare parts list-----	8
6.2 ME0100-----	9
Table 6.2 ME0100 spare parts list-----	10
7. The Circuit Diagram -----	11
Warranty -----	12

## 1. Introduction

All operations of the equipment and maintenance of this equipment must read the manual carefully and fully understand its contents. This manual shall be placed in the device, so feel free to read.

Only trained and authorized personnel should operate the equipment.

MPS-1027E is a dedicated machine, the operator should use Diamatic Florgrit polishing pad and adjust the machine in order to ensure optimum performance and productivity.

## 2. Safety Information

Before operating the machine, the operator must be familiar with the safety procedures in this manual.

This manual shall be placed in the vicinity of equipment for ready reference.

The machine must be grounded!

This machine is for commercial use only, and is limited to indoor use. Be sure to use the recommended accessories, the operator must read and understand the following safety precautions:

1. Do not operate the following equipment:
  - Untrained. Obtain appropriate qualifications
  - If operator has not carefully read and understand the Operator's Manual.
  - In flammable and explosive places;
  - Power cord or plug is damaged;
  - Problems machine is not suitable for operation
  - In standing water or wet conditions
2. Before operating the machine:
  - Always ensure normal operation of all safety devices
3. When using machine:
  - Use only manufacturer-approved polishing pad
  - Do not coil the power cord
  - Do not pull on the cord to move the machine
  - Do not operate in areas with sharp edges, corners
  - Do not pull on the cord to disconnect the plug
  - Do not disconnect the plug with wet hands
  - Always Keep the power cord away from the pad and wheels of the machine
  - Report any abnormalities or damage to the machine.
4. Before leaving the machine or performing maintenance:
  - Be sure to turn off and unplug the power cord to create a zero mechanical state
5. Storage:
  - Unplug the power cord;
  - Use a light degreaser and rag to clean the machine.
  - DO NOT USE A PRESSURE WASHER OR HOSE
  - Store in a clean dry location.

## 3. Operation

Prior to use or maintenance, the operator's manual must be read carefully and understood before using the machine.

### 1. Installation of the polishing pad

- Squeeze locking clip and remove snap on pad retainer.
- Select desire Florgrit pad
- Center pad on the pad driver and install pad retainer by pressing into place.



### 1. Handle Adjustment.

- Remove the thumbscrew on handle pivot. Raise or lower handle arm to comfortable position. Install pin and secure with thumbscrew.
- Operator handle can be adjusted as well to the most comfortable position.

### 2. Connecting Power

- Ensure the motor switch is in the off position, speed control is at 0, the e-stop is in engaged and safety key is removed.
- Connect the cable to plug to the inlet on the control panel.
- **Connect the power cable to 460V Three Phase 15A circuit only!! (this should be done by an electrician)**

### 3. Turning the machine on

- Insert the safety key and tie the lanyard to operator's wrist or belt

- Rotate the e-stop switch
- Push the remote button on key pad
- Rotate the motor switch to on position
- Turn speed control knob to desired rpm displayed on keypad. Recommended rpm range is 1200-1500
- 



4. Turning the machine off
  - To stop the machine, turn the motor switch to the off position
  - Press the emergency stop button and disconnect the safety switch key.
  - Turn the speed control knob to 0
5. Disconnecting the machine
  - Follow step 4
  - Turn off power at main control panel
  - Disconnect the plug from the control panel
  - Disconnect power cable from power supply. (this should be done by electrician)
  - Machine is ready for maintenance or storage

## 4. Maintenance

To keep the machine operating at peak performance, follow the maintenance program of the machine.

Before performing any maintenance, ensure that the machine is disconnected from the power supply and in a zero-mechanical state.

1. After use, unplug the machine immediately.
2. Check the belt, pad driver and pad holder after each use.
3. Use neutral detergent to clean the machine.
4. Check the machine's power cord for damage, if any should be replaced immediately.
5. Monthly waterproof Lubricate wheels, axle.
6. Check for loose or lost nuts, bolts tighten or replace as necessary.
7. After use in dusty environments, remove the motor cover and clean with low pressure air supply to ensure good ventilation.

## 5. Technical Data

	<b>MPS-1027E</b>
Motor Power	7.5 kW
power supply	460V / 60 Hz 15A 3 Phase
Chassis Diameter	Ø 70 cm
Rotating speed	0-1500 r / min adjustable
length	180 cm
width	70 cm
height	106 cm
weight	160 kg
Noise level	≤62dB (A)

Technical parameters and design subject to change without notice.

## 6.Spare Parts

### 6.1 MPS-1027E

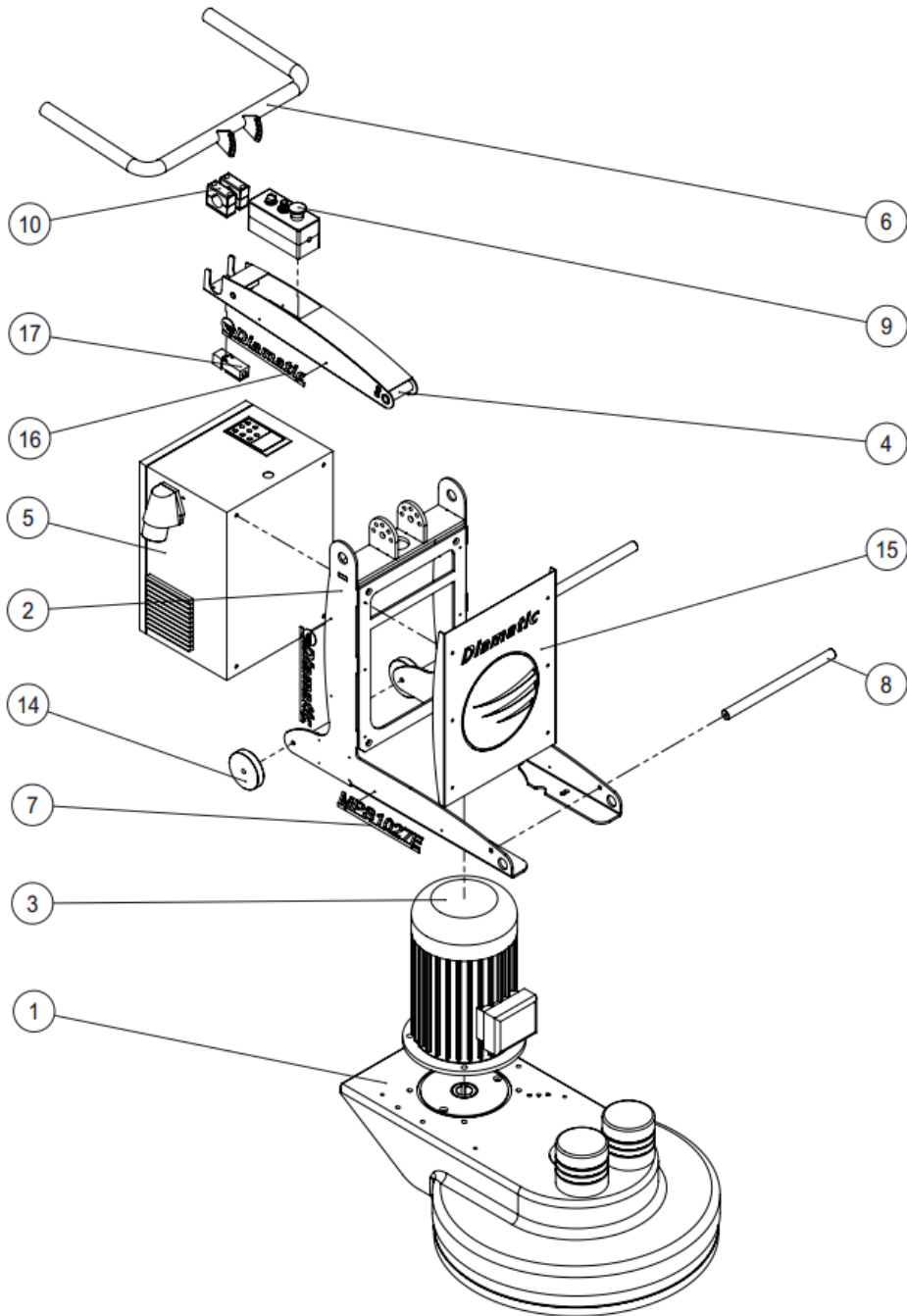




Table 6.1 MPS-1027E spare parts list

No.	Part Number	Part Name	Quantity
1	ME0100	Bottom Unit base assembly	1
2	ME0201	Rack	1
3	ME0301	Motor	1
4	ME0202	Handle rack	1
5	ME0302	Control box assembly	1
6	ME0203	weldment handle	1
7	ME0206	Model plate	2
8	ME0207	Steel bar rod	2
9	ME0303	Control panel	1
10	ME0209	pipe clamp D35	2
12	ME0210	Adjust Pin	1
13	ME0208	Cypriot screws	1
14	ME0213	PU round disc D75x20 (ID10)	2
15	ME0214	Front panel	1
16	ME0215	Logo plate	4
17	BG11760	Safety Limit Switches	1



## 6.2 ME0100

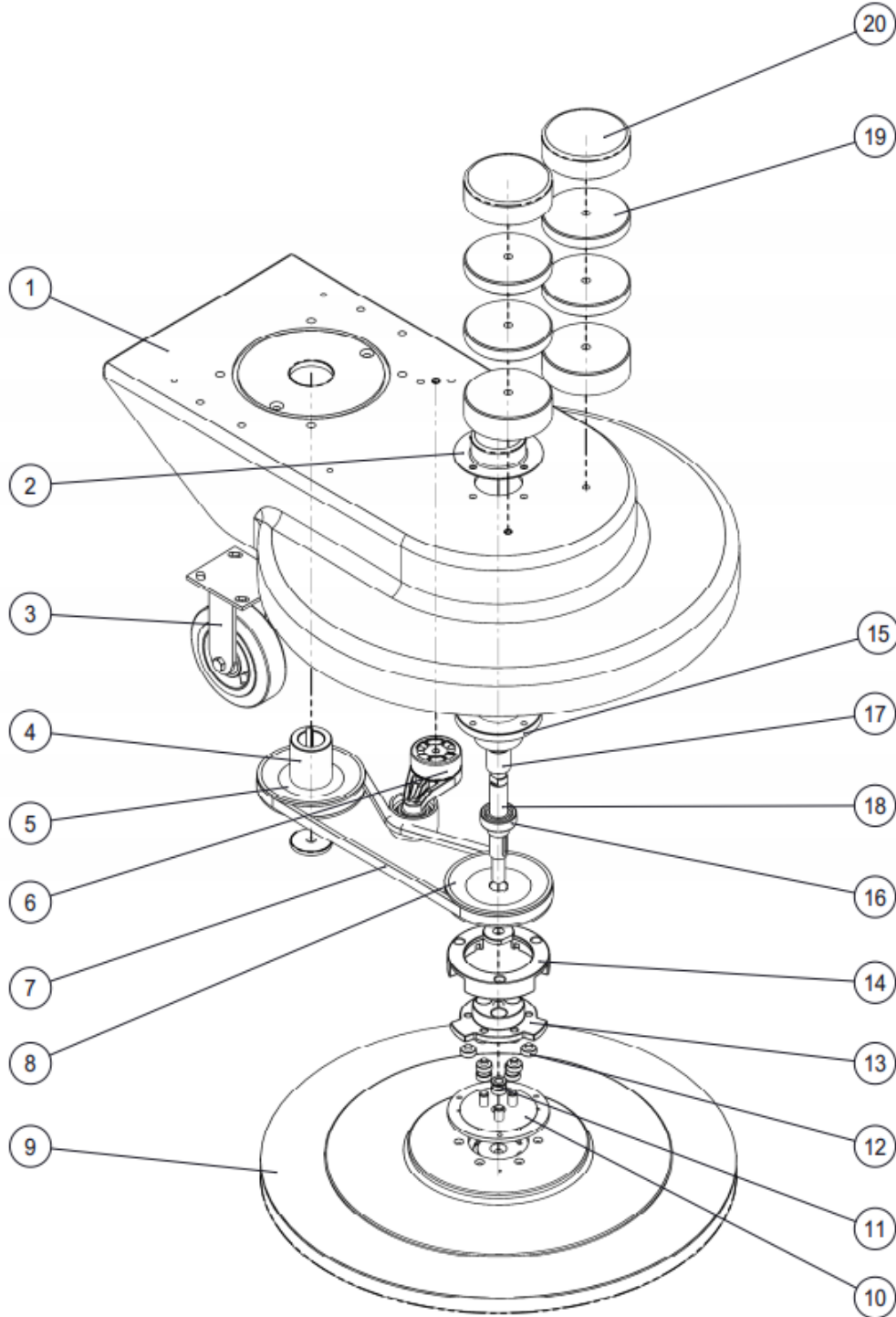
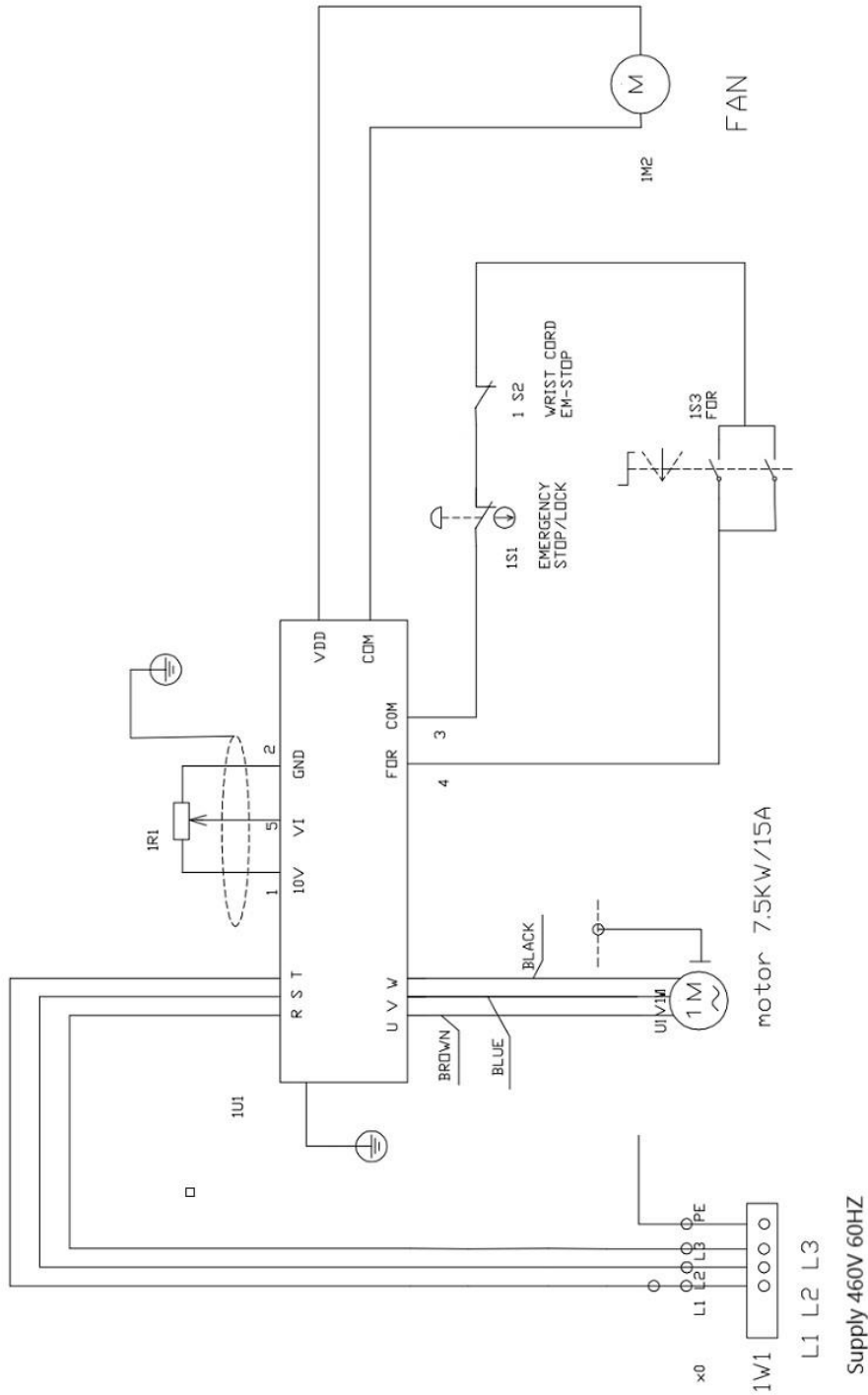


Table 6.2 ME0100 spare parts list

No.	Part Number	Part Name	Quantity
1	ME0101	Under cover	1
2	ME0102	Shuttered	1
3	ME0105	Walking wheel assembly	2
4	ME0104	Motor bushings	1
5	ME0106	Pulley	1
6	ME0107	Tensioner	1
7	ME0108	Leather belt	1
8	ME0111	Pulley	1
9	ME0119	Dial assembly	1
10	ME0118	Puck	1
11	ME0117	Rubber pad (large)	3
12	ME0116	Rubber pad (small)	6
13	ME0115	Aluminum chuck (male)	1
14	ME0114	Aluminum chuck (female)	1
15	ME0110	Bearing	1
16	ME0109	NSK Bearings	1
17	ME0112	Bushings	1
18	ME0113	transmission shaft	1
19	ME0120	Counterweight weight 2kg	4
20	ME0105	Counterweight weight 8kg	2

## 7. The Circuit Diagram



---

---

# DIAMATIC® PRODUCT WARRANTY

---

---

## STANDARD EQUIPMENT PRODUCTS

Diamatic warrants its **DIAMATIC** standard equipment products against defects in material and workmanship under normal and proper use for a period of **2 years** from the date of delivery or, in the case of Rental Fleet Machines, 180 days from the date of assignment to a Rental Fleet. Diamatic makes this warranty only to the buyer who purchases the products directly from Diamatic or its authorized distributor. This warranty does not include expendable parts such as, but not limited to, diamonds, wear parts, couplers, and diamond plates.

**The buyer must register the product with the warranty card. This warranty card must be mailed to Diamatic within 45 days after taking delivery of the Diamatic machine to receive full warranty. Any machine not registered under warranty through Diamatic will only receive a 6 month warranty period from the date of delivery.**

### **Warranty Terms and Conditions:**

1. Diamatic's obligation under this warranty is limited to the replacement or repair, at Diamatic's option, of products and does not include, labor, the cost of transportation, loss of operating time, or normal maintenance services.
2. This warranty does not apply to failure occurring as a result of abuse, misuse, negligence, corrosion, erosion, normal wear and tear, alterations or modifications made to products without express written consent of Diamatic.
3. The buyer must submit all warranty claims no later than thirty (30) days after buyer becomes aware of the basis for any such claim, or should have become aware of the basis for any such claim in the exercise of reasonable diligence.

To return parts for warranty consideration, please call Diamatic Customer Service at **866-295-5512**.

Our customer service representative will obtain the necessary information to complete the Diamatic Returned Merchandise Authorization (RMA) Form. Diamatic will then send the RMA form to the customer authorizing the return of the parts for warranty evaluation.

The parts must be received within sixty (60) days following the RMA origination date or the warranty claim will be denied. Once the parts are received they will be evaluated for warranty.

If the customer cannot wait for the evaluation/replacement of the parts during this process, the customer must issue a new purchase order to Diamatic for the replacement parts before they can be shipped. Once the evaluation process is complete and parts are deemed a valid warranty claim, a credit will be issued against this invoice.

4. The buyer may not return Diamatic products without Diamatic's written authorization to do so.
5. Diamatic reserves the right to inspect and determine the scope of its warranty responsibilities for any returned Diamatic products.
6. Diamatic makes no warranty with respect to accessories it does not manufacture, including but not limited to, engines, motors, batteries, tires and all other parts. See component manufacture warranty.
7. Diamatic reserves the right to make product changes or improvements without prior notice and without undertaking any obligation such changes or improvements on previously sold products.
8. The above warranty conditions can only be altered by Diamatic. Diamatic must confirm alterations in writing for each specific transaction.
9. Diamatic reserves the right to modify this warranty for used or demo products on an individual transaction basis. Diamatic will include warranty modifications on its invoices for used or demo products
10. DIAMATIC DOES NOT AUTHORIZE ANY PERSON, REPRESENTATIVE OR SERVICE OR SALES OUTLET TO MAKE ANY WARRANTY DIFFERENT FROM THIS PRODUCT WARRANTY.
11. EXCEPT FOR ITS PRODUCT REPAIR OR REPLACEMENT OBLGATIONS DESCRIBED IN THIS PRODUCT WARRANTY, UNDER NO CIRCUMSTANCES SHALL DIAMATIC BE LIABLE TO THE BUYER OR ANY OTHER PERSON FOR ANY DIRECT, INCIDENTAL, OR CONSEQUENTIAL DAMAGES RESULTING FROM THE USE OF THE DIAMATIC PRODUCT OR FOR ANY SPECIAL OR CONSEQUENTIAL DAMAGES OF ANY CHARACTER, INCLUDING WITHOUT LIMITATIONS, DAMAGES FOR ANY LOSS OF GOODWILL, WORK STOPPAGE, OR ANY AND ALL OTHER COMMERCIAL DAMAGES OR LOSSES.
12. DIAMATIC MAKES NO OTHER PRODUCT WARRANTIES, EXPRESS OR IMPLIED, INCLUDING, BUT NOT LIMITED TO, THE IMPLIED WARRANTIES OF MERCHANTABILITY AND FITNESS FOR A PARTICULAR PURPOSE.

**Diamatic® Warranty Registration Card**

**NOTICE!**

**TO THE DELIVERING DISTRIBUTOR OR END USER**

To ensure the proper warranty coverage is extended to the owner of this machine, fill out the attached card **COMPLETELY** and **ACCURATELY** and return to Diamatic.

**The warranty period will start on the delivery date entered below.**

The distributor or the end user must prepare the machine warranty information card when the machine is delivered. Return of the warranty card will extend the warranty period to **2 years** from the date entered below. **Failure to comply will make any and all warranties on the equipment void after 6 months.**

**USER'S REFERENCE INFORMATION**

Delivery Date _____	Machine Model No. _____
Delivering Distributor's Name and Address _____	Machine Serial No. _____
_____	Modifications _____
_____	_____
_____	_____
_____	_____
Signature of Delivering Distributor's Representative _____	_____

Blastrac is a registered trademark of Blastrac, NA  
Fold and Detach Here

**Warranty Registration Card**

**IMPORTANT!** To ensure that your Diamatic® machine is covered under warranty, please fill in the following information completely and mail or fax it to:

**Diamatic, 5220 Gaines Street, San Diego, CA 92110**

Fax 619-295-0754

(Please print legibly)

Company \_\_\_\_\_

Address \_\_\_\_\_

City, State, & Zip \_\_\_\_\_

Telephone No. \_\_\_\_\_ Contact Person \_\_\_\_\_

Date of Purchase \_\_\_\_\_ Date Received \_\_\_\_\_

Machine Model No. \_\_\_\_\_ Serial No. \_\_\_\_\_

Distributor Name \_\_\_\_\_

End User Name \_\_\_\_\_

End User E-mail \_\_\_\_\_





