

# *Diamatic 335EHY*

Original Operating Instructions

Version 1.0



Diamatic  
622 Grant Rd  
Folcroft, PA 19032  
Tel: +1 619-295-0893



Operating Instructions

**EC DECLARATION OF CONFORMITY**

in accordance with Appendix II sub A of Directive 2006/42/EC

**Diamatic**  
Utrechthaven 12  
NL - 3433 PN NIEUWEGEIN  
Tel: 0031 (0)30 223 8630  
Fax: 0031 (0)30 223 8981  
Info@diamatic.eu The  
Netherlands

Declare under our sole responsibility that the machine as described below Conforms with the Health and Safety requirements of the European Directive of the machine Safety.

In case of changes to the machine without our written authorization this declaration loses its validity.

**Model:** *Diamatic 335MC* **Serial number:** *XXXXB*

1. satisfies the conditions set out in the Machine Directive (Directive 2006/42/EC); Low voltage directive (2006/95/EC, as last amended; EMC directive 2004/108/EC, as last amended)
2. satisfies the following harmonized standards:  
NEN-EN 349, NEN-EN 418, NEN-EN 294 and NEN-EN 60204

Nieuwegein 23-01-2009



**Michiel Kalisvaart**



## Table of Contents

EC DECLARATION OF CONFORMITY-----	2
1. Introduction-----	4
2. Machine Description-----	4
2.2 Application -----	4
3. Safety-----	6
3.1 Safety Precautions -----	6
3.2 Safety Regulations -----	6
3.3 Safety Instructions -----	7
4. Initial Operation -----	8
4.1 Checkpoints of Electrical Safety -----	8
4.2 Checkpoints of Machine Safety -----	8
4.3 Mounting the Diamond Blades -----	9
4.4 Removing the Diamond Blades-----	9
5. Operating-----	10
5.1 Before Starting up -----	10
5.2 Starting up the Machine-----	10
5.3 Switch off the Machine-----	10
6. Maintenance-----	11
6.1 Rebuild to Scarifier -----	11
7. Technical Data-----	12
Warranty-----	13

## 1. Introduction

It is important that all persons who are working with or maintaining this machine must read the manual carefully and understand it fully. Keep this manual near to the machine to enable it be referred to at any time.

Only authorized and trained personnel may operate this machine.

## 2. Machine Description

The Diamatic multisaw machine Diamatic 335MC is an electrical driven machine where you can mount a different quantity of saw blades underneath. By changing the pulleys and the belt, the machine can be used as a scarifier. The machine is sealed around which makes it to use almost dust free when connected to an appropriate Diamatic dust collector. Due to the fine adjustment and the possibility to lock the height adjustment, depth of cut can be set very precisely, and the same saw depth can be maintained.

### 2.2 Application

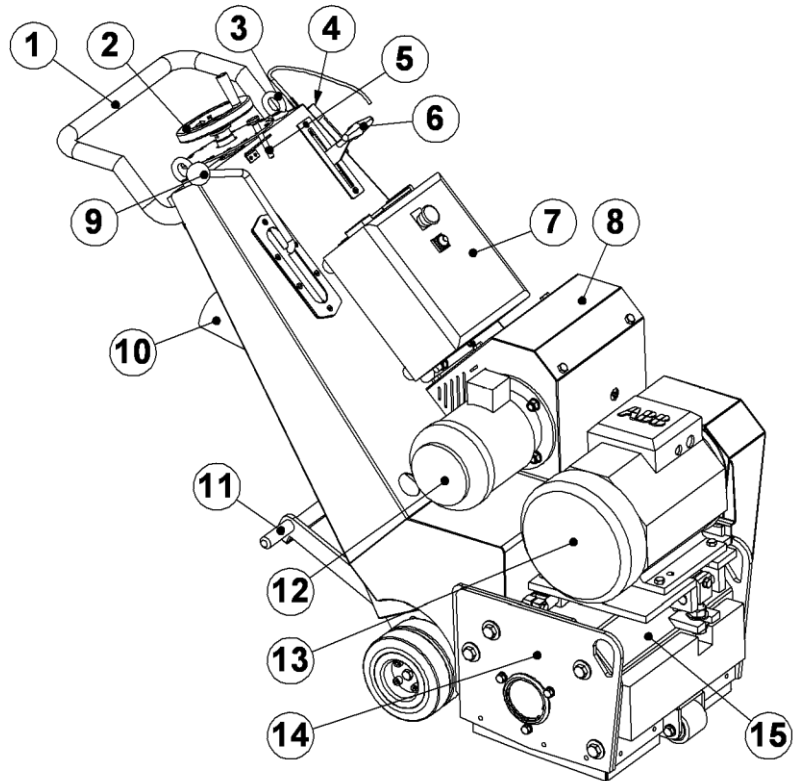
The multisaw machine is extremely suitable for removing hard top layers from soft floors or to remove the top layer from “floating” floors and/or “computer” floors. Sawing is a very fast process to remove several millimeters from a concrete floor so that it then can be polished up to the stones without using an extra scarifier.

If the multisaw machine is converted to scarifier, it can be used, with the appropriate cutters, for the following applications;

- To roughen concrete
- To clean most horizontal surfaces
- To remove coatings
- To corrugate concrete surfaces
- To remove road markings
- To make non-slip surfaces

The force of impact of a cutter is controlled by the depth adjustment. With the right depth adjustment, the best performance is obtained to give a desired result. With a suitable Diamatic dust collector work can be carried out without causing dust in the work area, this raises the life span of the machine and helps the health of the personnel.

1	Machinehandle
2	Fineadjustmentsaw depth
3	Lifting eye
4	Deadman switch
5	Locking height adjustment
6	Driving lever
7	Electrical panel
8	Hydraulic pump housing
9	Quick lift lever
10	Dust hose connection
11	Treadle of drive system
12	Motor drive system
13	Motor sawing drum
14	Side plate
15	Housing



### 3. Safety

Before operating the machine, the operating personnel must be familiar with the safety instructions given in this manual.

Keep this manual near to the machine, so that it can always be consulted.

#### 3.1 Safety Precautions

- The surface to be treated must be swept clean to remove stones, screws etc.
- Never use the machine when the surface is not clear and if there is a risk of tripping.
- Make sure there is not any water on the surface to be treated.
- Don't get disturbed during the activities.
- Remove any trailing electrical cables and or dust hoses from the surface to be treated.
- Always switch on the dust collector.

#### 3.2 Safety Regulations

- Persons who are not operating the machine must not be permitted to stay in the surrounding area of the machine.
- Don't change anything on the machine. Always use cables which are approved and safety earthed, including extension cables. The machine is always equipped with an earthed connection, do not change this and always use earthed cables with an earthed plug.
- Connect the main power supply cable to an installation with an earth leakage circuitbreaker.
- Inspect and test the electrical components regularly. The electrical components have to satisfy to the requirements which apply to these components.
- Always call a skilled electrician or your distributor when you have questions about the safety of the electrical components.
- Work on electrical equipment or operating materials may only be undertaken by a skilled electrician or by trained persons under the guidance and supervision of a skilled electrician as well as in accordance with the electrical engineering regulations.
- Pull out the main plug during inspections and repairing on the machine.
- Never operate the machine when the surface is wet.
- Never use the machine in the rain.
- It is possible to transport the machine without electrical power by pushing up the treadle (pos. 1, page 5). This operation de-clutches the drive wheels from the drive motors, in this freewheeling state make sure that the machine is only pushed on a level surface.

**It is very dangerous to push the machine on a grade or ramp when the treadle is in upwards position!**

**NEVER use the Diamatic 335MC as a scarifier!**

**The machine must be converted firstly into a Diamatic**

**335EHY. This is possible by changing the belt and the pulleys.  
(See chapter 6)**

The following sticker is placed on the machine.



Meanings of these symbols are:

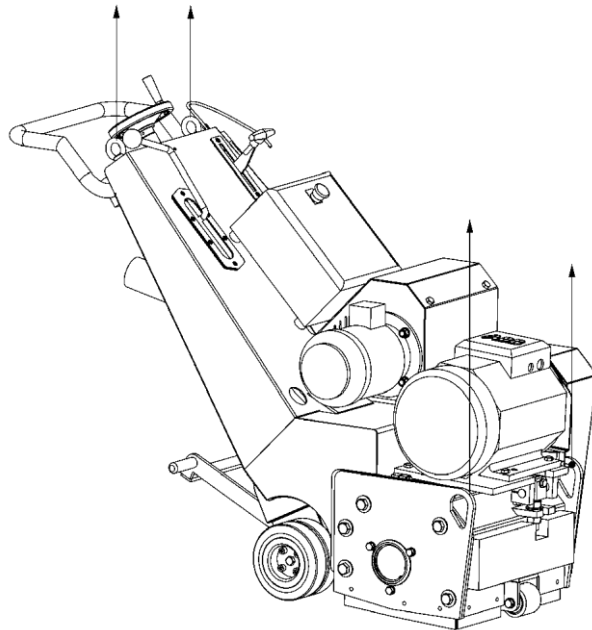
- Ear protection is obliged
- Safety glasses with lateral protection are obliged
- CE-mark on this machine
- Safety shoes obliged
- Consult the manual before operating the machine

Personnel must tie back long hair and not wear loose clothing or jewellery including rings.

Wear gloves and dust mask when operating the machine.

### 3.3 Safety Instructions

- Pull out the main plug when changing the diamond blades or during repairing operations to the machine.
- Make sure the machine is clean and that the handgrips are dry and free of grease and oil.
- The dustbin of the dust collector must be emptied regularly. Pay attention to the environment regulations.
- The weight of the Diamatic 335MC is 405 kilogram without diamond blades. Use preferably appropriate appliances as a lift or crane. Use the



existing lifting points to lift the machine.

## 4. Initial Operation

Before using the machine it is of great importance to inspect the machine. It is not permitted to use the machine if the machine safety is not according the checkpoints below.

### 4.1 Checkpoints of Electrical Safety

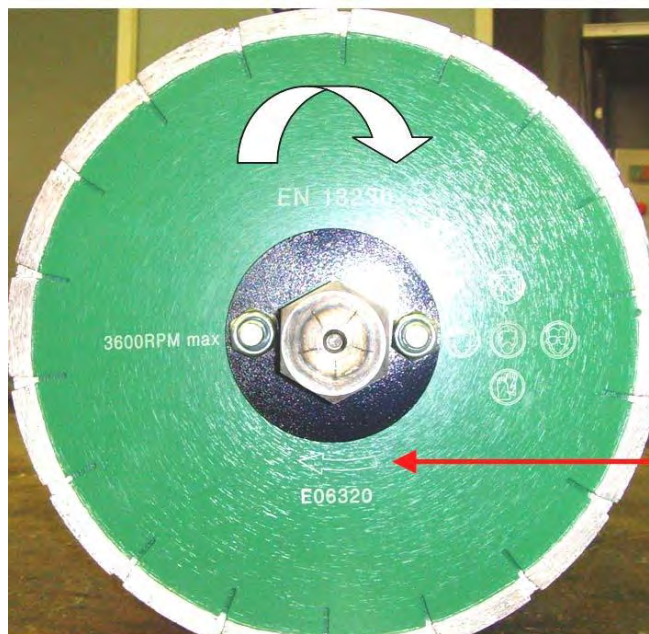
- Use only extension cables for extending the main cable that are sized and marked in accordance with the overall power consumption of the machine.
- Electrical cables must be rolled entirely off of the reels.
- Any damage to electric cables is not permitted
- Use an electrical power supply connection with an earth connection.

### 4.2 Checkpoints of Machine Safety

Check if:

- The safety functions and operating functions work correct.
- The diamond blades are in good condition
- The motor turns the right direction and if the turn direction of the diamond blades is the same as the motor direction.
- There is not any damage to the hydraulic and electrical components on the machine.
- There are not any loose nuts or bolts.
- There is not any damage to the dust hose and if it is connected correctly.

#### Turn direction of the Diamatic 335MC



Turn direction of the  
diamond blades



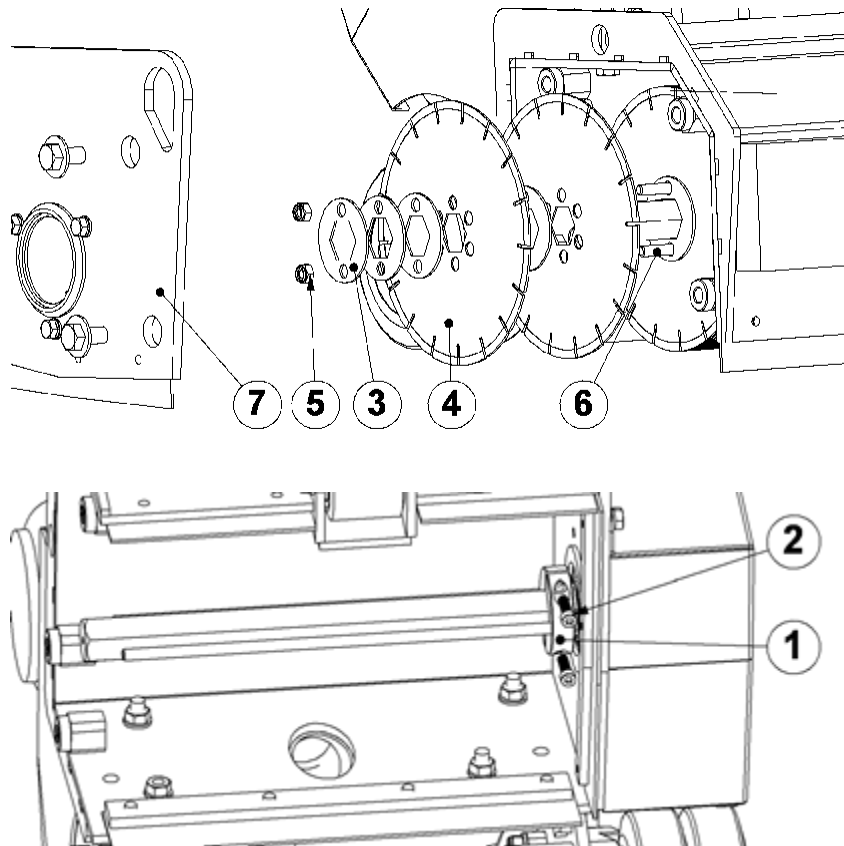
## 4.3 Mounting the Diamond Blades

- Pull out the main plug of the machine
- Always wear gloves during mounting or dismantling the blades.
- Slide the hexagon clamp bush with the stud bolts (1) over the hexagon axle until it is about 3mm from the end of the axle. Tighten both bolts(2) very tight, It is advisable to use a locking solution such as Loctite 243 on these bolts.
- Assemble the spacer rings (3) and diamond blades (4) one by one over the axle until the end of the drum.
- There has to be at least one spacer ring between the diamond blades.
- Clamp all diamond blades and spacer rings together by turning 2 lock nuts (5) at the end of the tap ends (6). Make sure that there are at least 2 spacer rings at the end of the drum.
- Mount the side plate. A side plate which is incorrectly mounted or mounted with force will shorten the lifetime of the drum bearings.

Never use the machine without a side plate or with an incorrect mounted side plate!

## 4.4 Removing the Diamond Blades

- Pull out the main plug of the machine
- Loosen the bolts of the side plate and remove the side plate (7)
- Loosen the lock nuts (5) and remove the spacer rings and diamond blades.
- Turn both bolts (2) loose and remove the hexagon clamp bush (1).
- 



## 5. Operating

During operating the Diamatic 335MC, the following additional safety instructions must be followed closely.

### 5.1 Before Starting up

- Make sure that the diamond blades do not hit the ground. The quick lift lever must be in upper position and the fine adjustment must be turned up.
- Connect the Diamatic 335MC to the dust collector with the dust hose. Make sure there is a good and airtight connection.
- Check if the diamond blades are mounted the right way.
- Connect the Diamatic 335MC and the dust collector with the power supply. Make sure the right electrical connection is available for the machine.
- Check if both motors turn in the right direction.

### 5.2 Starting up the Machine

- Turn on the dust collector
- Put the cord of the dead man switch around the left wrist.
- Check if the treadle (pos. 11 page 5) of the drive system is down, and the driving lever (pos. 6 page 5) is in the neutral stand.
- Start the machine by pushing first the green button of the drive motor and then the green button of the sawing motor.
- Slowly let down the quick lift lever slowly.
- Turn the fine adjustment clockwise till the desired scarifying depth is reached.
- Lock the fine adjustment so the depth cannot change during sawing.
- Set the drive speed with the driving lever (pos. 6 page 5)

### 5.3 Switch off the Machine

- Pull the quick lift lever up and turn the fine adjustment till the drum does not hit the ground anymore.
- Push both red buttons on the electrical box.
- Wait till all turning parts have reached a standstill
- Switch off the dust collector.
- Disconnect the power supply.
- Pay attention that all twisting and turning machine parts have reached a standstill before inspection or maintenance duties are carried

## 6. Maintenance

Prevent premature wear by keeping the machine as dust free as possible. Clean the machine for this reason regularly with a vacuum cleaner.

Clean the machine every day with air and non-aggressive materials. Never use a high pressure water cleaner to clean the machine.

Store the cleaned and dry machine in a dry and humid free room. Protect the electrical motor from moisture, heat, dust and mechanical shocks.

All repair work must to be done by qualified Diamatic personnel, this to guarantee a safe and reliable machine.

Any guarantee on the machine is null and void when:

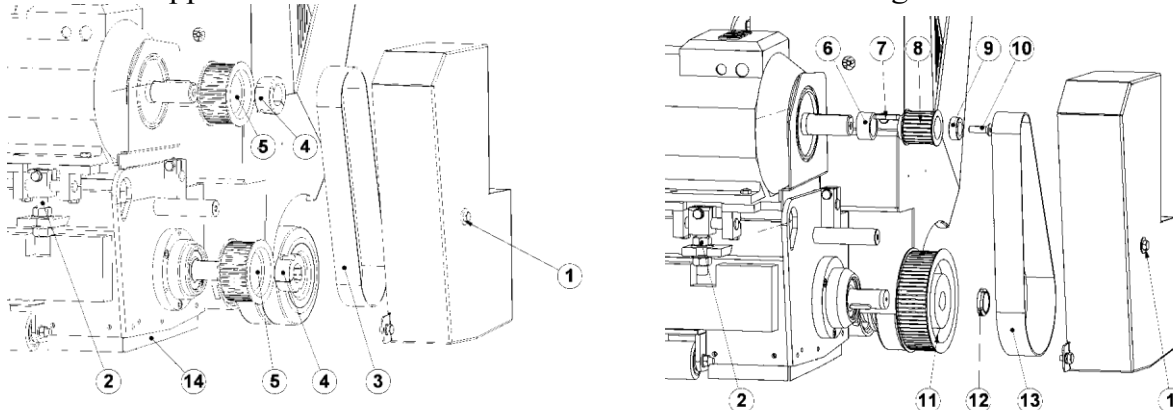
- Non original Diamatic parts and cutters have been used
- Repair work is not done by qualified Diamatic personnel
- Changes, or add on parts, or conversions are undertaken without written permission of Diamatic

### 6.1 Rebuild to Scarifier

The Diamatic 335MC can be rebuilt into a scarifier by changing the drive belt and both pulleys. Part numbers for this will be in the service manual.

- Remove the belt guard (1) and lower the tension on the belt (2) by loosening the eyebolt (2) then remove the drive belt.
- Loosen both taper lock bushes (4) en remove the taper locks and pulleys (5)
- Make sure the distance bush (6) stays on the motor axle and both keys are still on the axles.
- Slide the pulley (8) over the motor axle and mount the pulley with mounting bush (9) and the hexagon socket countersunk screw (10)
- Slide the pulley (11) over the drum axle and turn on the axle nut (12) make sure that the right tools will be used for this so the nut will not be damaged.
- Mount the new belt (13) and tension the belt by turning the eyebolt (2) up. The tension of the belt must be between 70 and 75Hz.
- Assemble the belt guard back on to the machine.
- **Make sure that both rubber seals (14) and the metal strips on both sides of the machine are removed before start working with the scarifier.**

Work in opposite direction to build the machine back to sawing machine.



## 7. Technical Data

	<b>Diamatic 335MC</b>	<b>Diamatic 335MC</b>
Power consumption	12.1 kW	13,9 kW
Electrical consumption	3x 400V	3x 480V
Frequency	50Hz	60Hz
Ampèrage connection	5 pole / 32 Ampere	5 pole / 32 Ampere
Ampèrage consumption	24 Ampère	23 Ampère
Working width	335 mm	335 mm
Rotation speedsawing drum	3000 min <sup>-1</sup>	3600 min <sup>-1</sup>
Rotation speedscarifier drum	1000 min <sup>-1</sup>	1000 min <sup>-1</sup>
Length	1400 mm	1400 mm
Width	605 mm	605 mm
Height	1075 mm	1075 mm
Weight	405 kg (excl. drum)	405 kg (excl. drum)
Noise level	Up to 95dB(A)	up to 95dB(A)
Dust hose connection	Ø75 mm	Ø75 mm

Design and specifications are subject to change without notice by Diamatic

---

---

# DIAMATIC® PRODUCT WARRANTY

---

---

## STANDARD EQUIPMENT PRODUCTS

Diamatic warrants its **DIAMATIC** standard equipment products against defects in material and workmanship under normal and proper use for a period of **2 years** from the date of delivery or, in the case of Rental Fleet Machines, 180 days from the date of assignment to a Rental Fleet. Diamatic makes this warranty only to the buyer who purchases the products directly from Diamatic or its authorized distributor. This warranty does not include expendable parts such as, but not limited to, diamonds, wear parts, couplers, and diamond plates.

**The buyer must register the product with the warranty card. This warranty card must be mailed to Diamatic within 45 days after taking delivery of the Diamatic machine to receive full warranty. Any machine not registered under warranty through Diamatic will only receive a 6 month warranty period from the date of delivery.**

### **Warranty Terms and Conditions:**

1. Diamatic's obligation under this warranty is limited to the replacement or repair, at Diamatic's option, of products and does not include, labor, the cost of transportation, loss of operating time, or normal maintenance services.
2. This warranty does not apply to failure occurring as a result of abuse, misuse, negligence, corrosion, erosion, normal wear and tear, alterations or modifications made to products without express written consent of Diamatic.
3. The buyer must submit all warranty claims no later than thirty (30) days after buyer becomes aware of the basis for any such claim, or should have become aware of the basis for any such claim in the exercise of reasonable diligence.

To return parts for warranty consideration, please call Diamatic Customer Service at **866-295-5512**.

Our customer service representative will obtain the necessary information to complete the Diamatic Returned Merchandise Authorization (RMA) Form. Diamatic will then send the RMA form to the customer authorizing the return of the parts for warranty evaluation.

The parts must be received within sixty (60) days following the RMA origination date or the warranty claim will be denied. Once the parts are received they will be evaluated for warranty.

If the customer cannot wait for the evaluation/replacement of the parts during this process, the customer must issue a new purchase order to Diamatic for the replacement parts before they can be shipped. Once the evaluation process is complete and parts are deemed a valid warranty claim, a credit will be issued against this invoice.

4. The buyer may not return Diamatic products without Diamatic's written authorization to do so.
5. Diamatic reserves the right to inspect and determine the scope of its warranty responsibilities for any returned Diamatic products.
6. Diamatic makes no warranty with respect to accessories it does not manufacture, including but not limited to, engines, motors, batteries, tires and all other parts. See component manufacture warranty.
7. Diamatic reserves the right to make product changes or improvements without prior notice and without undertaking any obligation such changes or improvements on previously sold products.
8. The above warranty conditions can only be altered by Diamatic. Diamatic must confirm alterations in writing for each specific transaction.
9. Diamatic reserves the right to modify this warranty for used or demo products on an individual transaction basis. Diamatic will include warranty modifications on its invoices for used or demo products
10. DIAMATIC DOES NOT AUTHORIZE ANY PERSON, REPRESENTATIVE OR SERVICE OR SALES OUTLET TO MAKE ANY WARRANTY DIFFERENT FROM THIS PRODUCT WARRANTY.
11. EXCEPT FOR ITS PRODUCT REPAIR OR REPLACEMENT OBLGATIONS DESCRIBED IN THIS PRODUCT WARRANTY, UNDER NO CIRCUMSTANCES SHALL DIAMATIC BE LIABLE TO THE BUYER OR ANY OTHER PERSON FOR ANY DIRECT, INCIDENTAL, OR CONSEQUENTIAL DAMAGES RESULTING FROM THE USE OF THE DIAMATIC PRODUCT OR FOR ANY SPECIAL OR CONSEQUENTIAL DAMAGES OF ANY CHARACTER, INCLUDING WITHOUT LIMITATIONS, DAMAGES FOR ANY LOSS OF GOODWILL, WORK STOPPAGE, OR ANY AND ALL OTHER COMMERCIAL DAMAGES OR LOSSES.
12. DIAMATIC MAKES NO OTHER PRODUCT WARRANTIES, EXPRESS OR IMPLIED, INCLUDING, BUT NOT LIMITED TO, THE IMPLIED WARRANTIES OF MERCHANTABILITY AND FITNESS FOR A PARTICULAR PURPOSE.

## Diamatic® Warranty Registration Card

# NOTICE!

### TO THE DELIVERING DISTRIBUTOR OR END USER

To ensure the proper warranty coverage is extended to the owner of this machine, fill out the attached card **COMPLETELY** and **ACCURATELY** and return to Diamatic.

**The warranty period will start on the delivery date entered below.**

The distributor or the end user must prepare the machine warranty information card when the machine is delivered. Return of the warranty card will extend the warranty period to **2 years** from the date entered below. **Failure to comply will make any and all warranties on the equipment void after 6 months.**

### USER'S REFERENCE INFORMATION

Delivery Date _____	Machine Model No. _____
Delivering Distributor's Name and Address _____	Machine Serial No. _____
_____	Modifications _____
_____	_____
_____	_____
_____	_____
Signature of Delivering Distributor's Representative _____	_____

Blastrac is a registered trademark of Blastrac, NA

Fold and Detach Here

## Warranty Registration Card

**IMPORTANT!** To ensure that your Diamatic® machine is covered under warranty, please fill in the following information completely and mail or fax it to:

**Diamatic, 5220 Gaines Street, San Diego, CA 92110**

Fax 619-295-0754

(Please print legibly)

Company \_\_\_\_\_

Address \_\_\_\_\_

City, State, & Zip \_\_\_\_\_

Telephone No. \_\_\_\_\_ Contact Person \_\_\_\_\_

Date of Purchase \_\_\_\_\_ Date Received \_\_\_\_\_

Machine Model No. \_\_\_\_\_ Serial No. \_\_\_\_\_

Distributor Name \_\_\_\_\_

End User Name \_\_\_\_\_

End User E-mail \_\_\_\_\_