

BDC 1115-P

Original Service Instructions

Version 1.0



Service Instructions

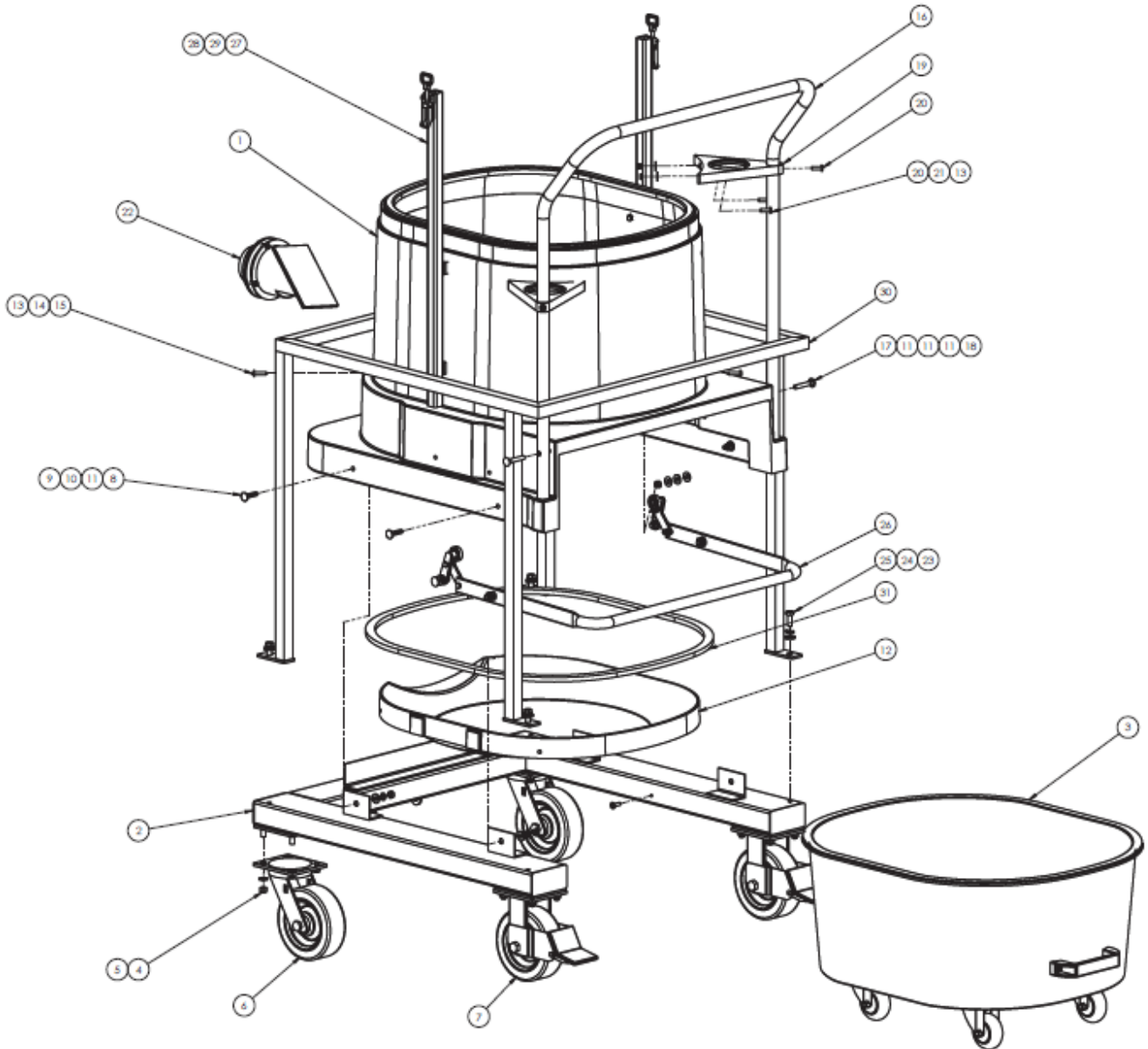
Diamatic
622 Grant Rd
Folcroft, PA 19032
Tel: +1 619-295-0893



Contents

DS2 HD BASE ASM, CONTRACTOR	3
DS2 HD BASE ASM, CONTRACTOR PARTS LIST	4
D2 DUSTPAN LEVER ASM	5
D2 DUSTPAN LEVER ASM PARTS LIST	6
DUSTPAN ASM, D2, NON EX	7
DUSTPAN ASM, D2, NON EX PARTS LIST	8
FILTER ASM, 4.5M, D2, BLK	9
FILTER ASM, 4.5M, D2, BLK PARTS LIST	10
GV15 MOTOR DECK KOHLER "COURAGE"	11
GV15 MOTOR DECK KOHLER "COURAGE" PARTS LIST	12
GV15 MOTORDECK ASM	13
GV15 MOTORDECK ASM PARTS LIST	14

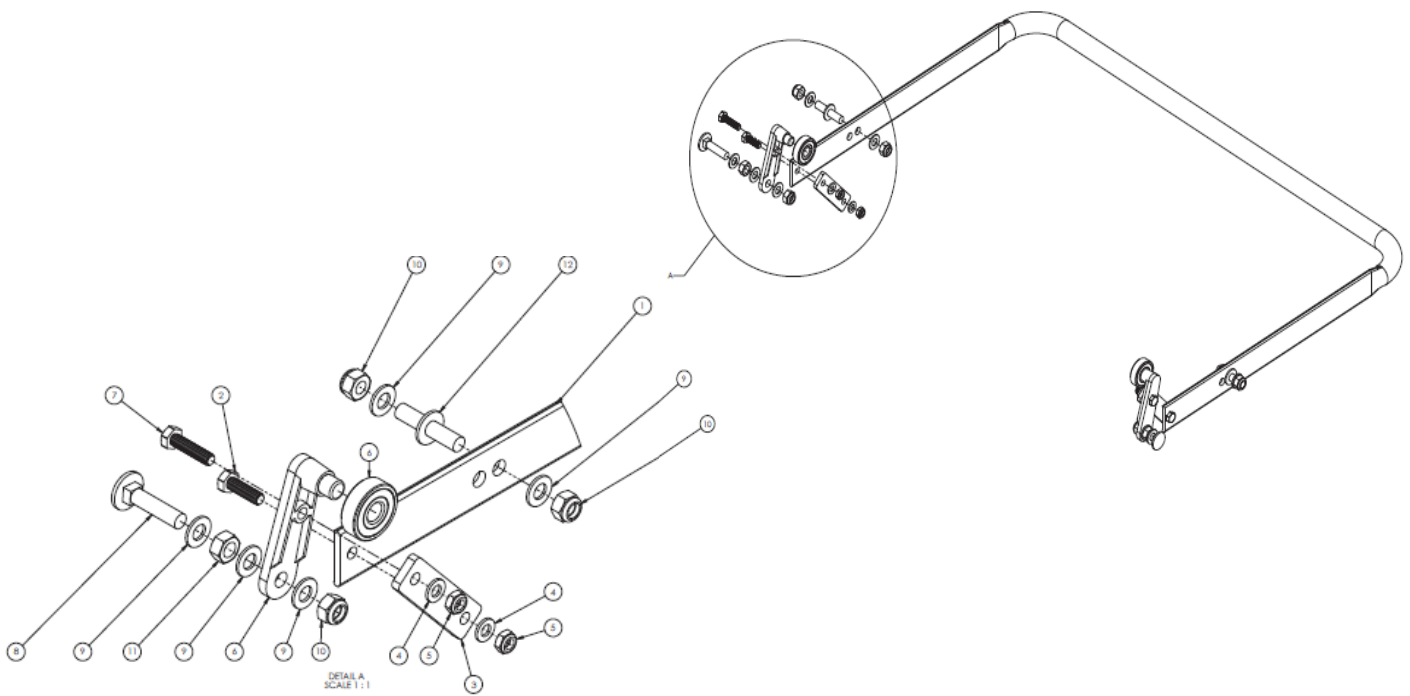
DS2 HD BASE ASM, CONTRACTOR



DS2 HD BASE ASM, CONTRACTOR PARTS LIST

ITEM NO.	PART NO.	DESCRIPTION	QTY.
1	32887002	LOWER HOUSING, D2, BLK, 100MM	1
2	60217	D2 CASTER FRAME	1
3	32890AB	DUSTPAN ASM, D2, NON EX	1
4	37506	LOCK NUT 3/8-16	16
5	20192	WASHER FLAT M10	16
6	30210	CASTER, 6IN, SWIVEL, NO BRAKE	2
7	30213	CASTER 6IN RIGID WITH BRAKE	2
8	25030	CARRIAGE BOLT M8-30, ZINC	4
9	20044	HEX NUT M8, ZINC	4
10	20050	WASHER SPLIT LOCK M8	4
11	34882	WASHER FLAT/THIN M8 ZINC	10
12	32880001	INTERNAL DEFLECTOR, D2, BLK	1
13	34876	M6 LOCK NUT	8
14	25067	WASHER FLAT M6	4
15	3481701	SCREW, SOC BH, FLANGED, M6-25	4
16	30013000	D2 PUSH HANDLE SS	1
17	25055	CARRIAGE BOLT 5/16-18 X 2" ZINC	2
18	31202	5/16-18 LOCK NUT	2
19	32889001	SUPPORT FOR D2 EX PUSH HANDLE	2
20	34817	SCREW ULS SOC HD M6 X 20	7
21	34819	WASHER FENDER M6	4
22	32959A	HEAVY DUTY INLET, 70MM-100MM	1
23	31205	FLAT WASHER 5/16	4
24	37501	WASHER LOCK 3/8	4
25	37509	BOLT HEX 3/8-16 X 1"	4
26	30012A	D2 DUSTPAN LEVER ASM	1
27	60211A	D2 CLAMPING BASE	2
28	30029	NUT LOCK M8	4
29	20032	WASHER, FENDER, 5/16-1 1/2", ZINC	4
30	60207	DS2 TIE DOWN FRAME	1
31	32934	GASKET 3/8 X 3/4 X 90"	1

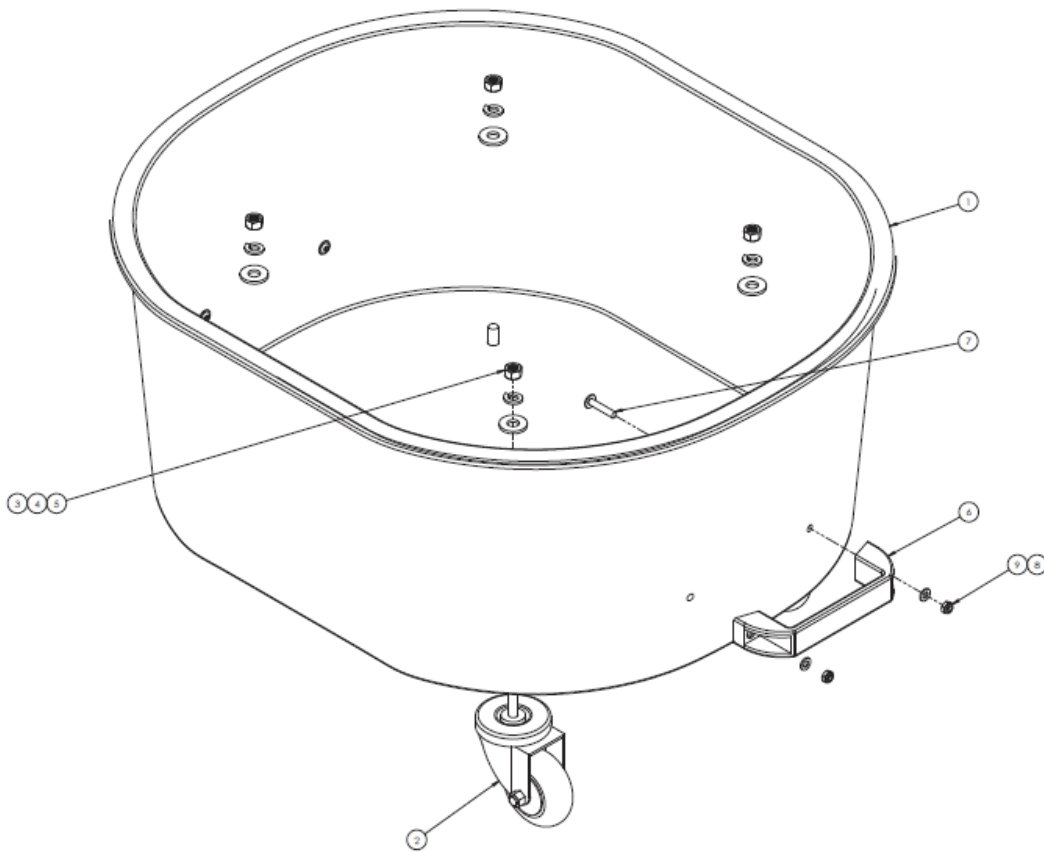
D2 DUSTPAN LEVER ASM



D2 DUSTPAN LEVER ASM PARTS LIST

ITEM NO.	PART NO.	DESCRIPTION	QTY.
1	30012	D2 DUSTPAN FOOT LEVER	1
2	32903	BOLT HEX M6-20, ZINC	2
3	30038	D2 PIVOT PLATE	2
4	25067	WASHER FLAT M6	4
5	34876	M6 LOCK NUT	4
6	30059A	D2 DUSTPAN LEVER/BEARING ASM	2
7	34854	BOLT, HEX, M6-25	2
8	25053	BOLT CARRIAGE M8 X 35	2
9	34882	WASHER FLAT M8 ZINC	10
10	30029	NUT LOCK M8	6
11	20044	HEX NUT M8, ZINC	2
12	30028000	BOLT, DOUBLE SIDED, M8	2

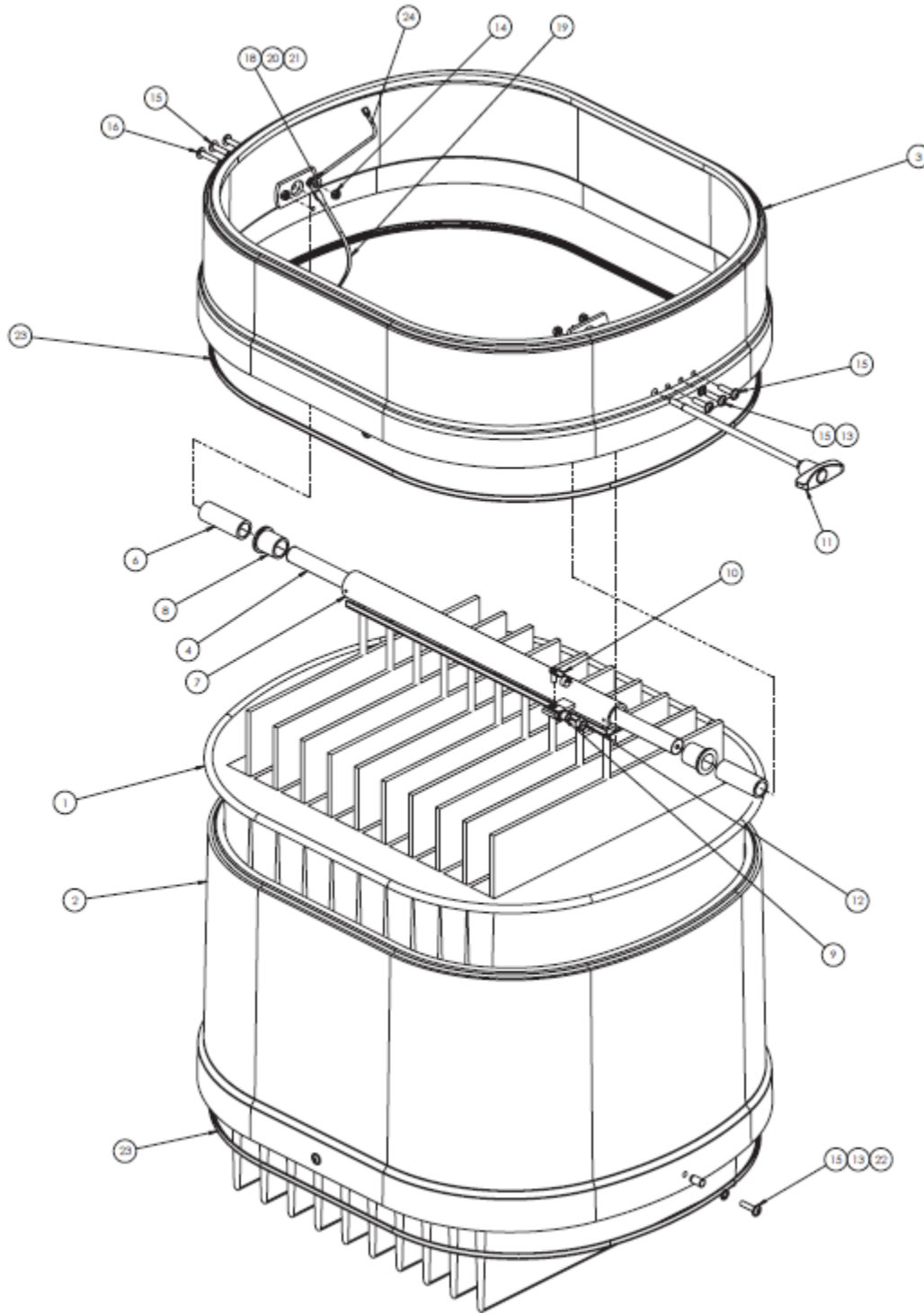
DUSTPAN ASM, D2, NON EX



DUSTPAN ASM, D2, NON EX PARTS LIST

ITEM NO.	PART NO.	DESCRIPTION	QTY
1	32891001	DUST PAN, D2, BLK	1
2	30198	CASTER, 3IN X 1.25IN, GREY, TPR	4
3	37507	3/8" FLAT WASHER	4
4	37501	WASHER LOCK 3/8	4
5	37502	NUT HEX 3/8-16	4
6	21658-13	HANDLE	2
7	21464	SCREW M6 X 30 SOC HD, FLANGED	4
8	25067	WASHER FLAT M6	4
9	34876	M6 LOCK NUT	4

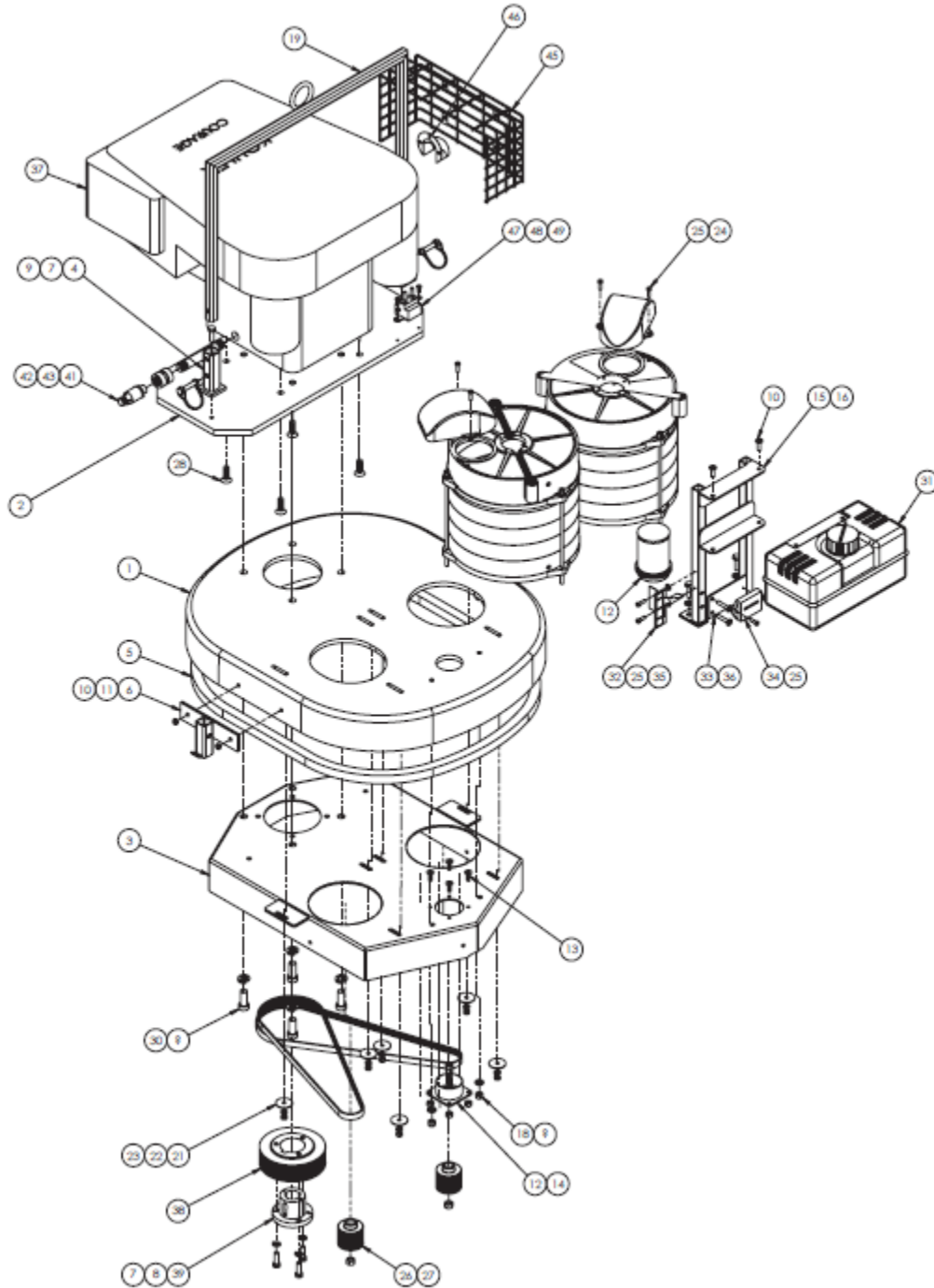
FILTER ASM, 4.5M, D2, BLK



FILTER ASM, 4.5M, D2, BLK PARTS LIST

ITEM NO.	PART NO.	DESCRIPTION	QTY.
1	32970	FILTER, 48 SQ/FT, PTFE	1
2	32885001	HOUSING SPACER, D2, LARGE,	1
3	32907002	FILTER RING, D2, SMALL	1
4	21360	SLIDE BAR FOR D2 SHAKER	1
5	21365	D2 FILTER PLATE	2
6	3480525	CLEAR HOSE, 3/4"ID, 2 1/2" LONG	2
7	35141000	4.5M FILTER CAGE	1
8	31882000	BUSHING, BRASS, 20X26X30MM	2
9	25047	CLEVIS, 6X12, M8 RHT	1
10	34879	SPRING CLIP FOR CLEVIS YOKE, 6MM X 12MM	1
11	22565	SHAKER BAR W/ SWIVEL HANDLE	1
12	20044	HEX NUT M8, ZINC	1
13	25000	WASHER EXT STAR .25IN	6
14	34876	M6 LOCK NUT	4
15	3481701	SCREW, SOC BH, FLANGED, M6-25	8
16	21464	SCREW M6 X 30 SOC HD, FLANGED	2
17	32970F	FILTER INSERT, 4.5M	10
18	34998	GROUND CONNECTOR	2
19	34906A	GROUND CONNECTIONM DS2, SHAKER TO INLET	1
20	20040	NUT HEX M6	1
21	20039	WASHER LOCK M6	1
22	34817A	M6 BLIND PEM	4
23	3137781	GASKET, NITRILE SPONGE	2
24	34907A	GROUND CONNECTION, DS2, SHAKER TP MOTOR DECK	1

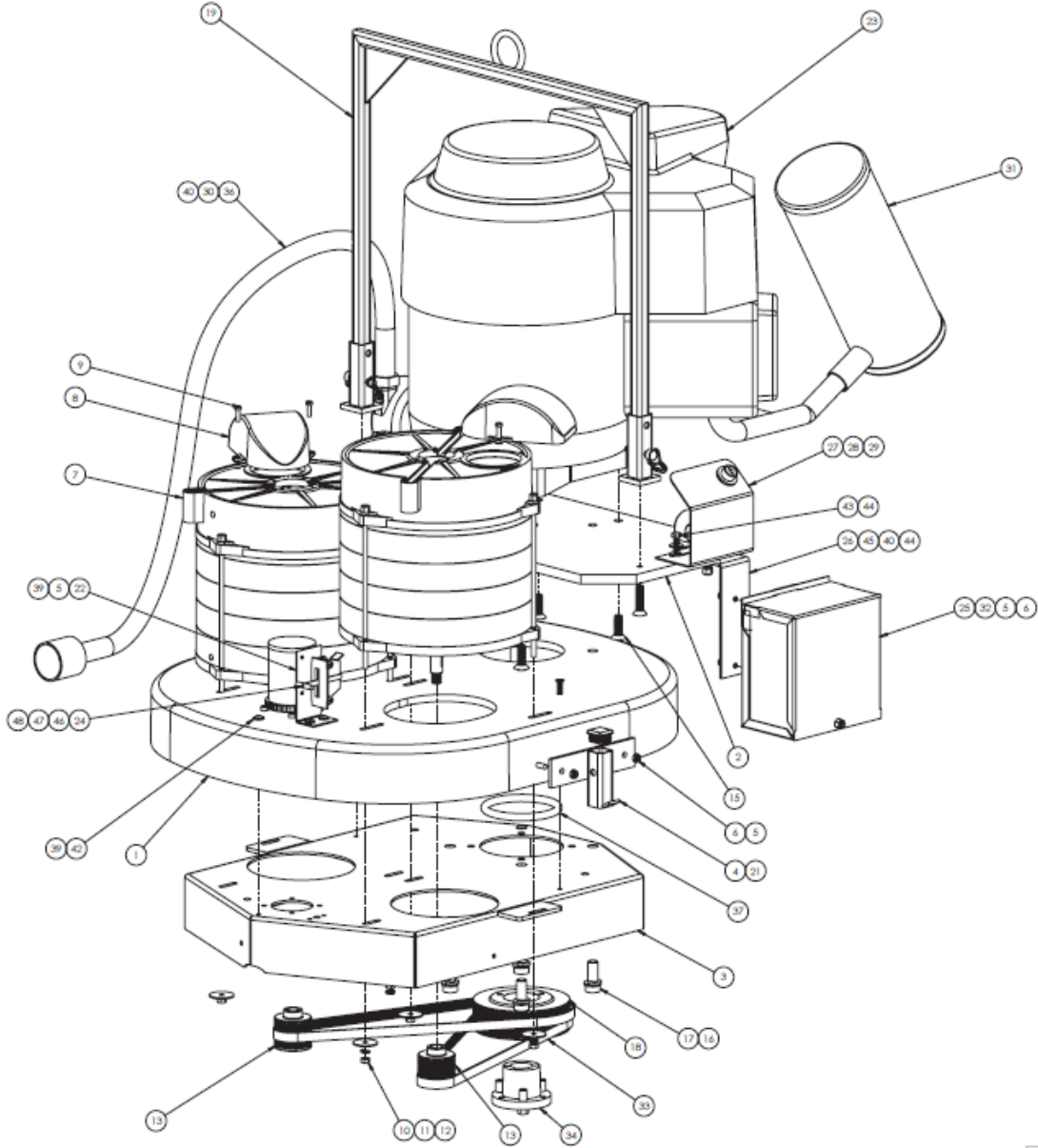
GV15 MOTOR DECK KOHLER "COURAGE"



GV15 MOTOR DECK KOHLER "COURAGE" PARTS LIST

ITEM NO.	PART NO.	DESCRIPTION	QTY:
1	32871001	DS2 MOTOR DECK- REV A	1
2	3181202	GAS MOTOR ADAPTER PLATE	1
3	32883000	SUPPORT PLATE, MOTOR DECK	1
4	60210C	DECK MOUNT WELDMENT	2
5	32935	DS2 MOTORDECK GASKET 78"	1
6	60211C	CLAMP HOOK WELDMENT, MOTOR DECK	2
7	31210	HEX BOLT 5/16-18, 1LG	5
8	31206	WASHER LOCK 5/16	5
9	25029	RETAINER PIN	2
10	34817	SCREW ULS SOC HD M6 X 20	6
11	34876	M6 LOCK NUT	4
12	1002201A	PRESSURE RELIEF VALVE WITH COVER	1
13	250032	SCREW SOC FH, 1/4-20 X 3/4	4
14	250025	LOCK NUT 1/4-20	4
15	2501309P	GAS TANK BRACKET	1
16	25054	BOLT HEX M8 X 25	2
17	25061	M8 FLAT WASHER	4
18	30029	NUT LOCK M8	2
19	60210D	REMOVABLE LIFTING BAR, DS2/GV	1
20	22221	TURBINE, 5 STAGE, 4.0 KW	2
21	20031	WASHER, FENDER, 1/4 X 1 1/4	6
22	20039	WASHER LOCK M6	6
23	20040	NUT HEX M6	6
24	32856	EXHAUST DEFLECTOR, TURBINE	2
25	328685	SCREW, SLOT, CH, M5 X 16	8
26	33058	PULLEY, POLY-V, 14 GROOVE, 48MM DIA	2
27	32827	NUT, HEX, LH, M12, 1 3/4"	2
28	215561	M10X30 FH SOC	4
29	32841	BOLT, SOC, 1/2-13 X 1 1/4	4
30	50002	WASHER, LOCK 1/2"	4
31	25013B	FUEL TANK	1
32	25013C	THROTTLE CONTROL	1
33	2501309J2	HOUR METER BRACKET	1
34	2501309E	HOUR METER	1
35	25067	WASHER FLAT M6	2
36	21464	SCREW M6 X 30 SOC HD, FLANGED	2
37	25013	KOHLER COURAGE 15 HP MOTOR	1
38	32923US	125MM SHEAVE, 14 GROOVE	1
39	3305201US	BUSHING, P1, 1"	1
40	35015	BELT, 350J, 6 GROOVE, POLY-V	2
41	97061	DRAIN VALVE OIL	1
42	2006234	NIPPLE, FULL, .375NPT X 4.5" LG	1
43	610025	COUPLING, FULL, .375NPT, BRASS	1
44	2501309MM	KOHLER MUFFLER	1
45	2501309M	MUFFLER GUARD	1
46	2501309D	EXHAUST DEFLECTOR	1
47	250138	KOHLER SOLENOID	1
48	328669	WASHER FLAT SS, M5	2
49	32995B	#10-32 X .5 BH CAP	2
50	22990400	GASKET, ROUND, 3/8", CUT AT 8.625"	1

GV15 MOTORDECK ASM



GV15 MOTORDECK ASM PARTS LIST

ITEM NO.	PART NO.	DESCRIPTION	QTY.
1	32871006	MOTORDECK, D2 PROPANE VAC, BLK	1
2	3181205	PV15 ADAPTER PLATE, KAWASAKI, D2	1
3	32883000	SUPPORT PLATE, D2 MDECK	1
4	60211C	CLAMP HOOK WELDMENT, MOTOR DECK	2
5	34817	SCREW ULS SOC HD M6 X 20	8
6	34876	M6 LOCK NUT	6
7	22221	TURBINE, 5 STAGE, 4.0 KW	2
8	32856	EXHAUST DEFLECTOR, TURBINE	2
9	328685	SCREW, SLOT, CH, M5 X 16	4
10	20040	NUT HEX M6	6
11	20039	WASHER LOCK M6	6
12	20031	WASHER, FENDER, 1/4 X 1 1/4	6
13	33058	PULLEY, POLY-V, 14 GROOVE, 48MM DIA	2
14	32827	NUT, HEX, LH, M12, 1 3/4"	2
15	215561	M10X30 FH SOC	4
16	50002	WASHER, LOCK 1/2"	4
17	32841	BOLT, SOC, 1/2-13 X 1 1/4	4
18	32923US	125MM SHEAVE, 14 GROOVE	1
19	60210GA	LIFTING BAR ASM, PV15	1
20	1002201A2	PRESSURE RELIEF VALVE WITH COVER, PV15	1
21	8010	END CAP, PLASTIC PLUG, 1IN X .095IN, SERRATED	2
22	602354	THROTTLE BRACKET, PV15	1
23	602312	PROPANE ENGINE	1
24	602312	PROPANE ENGINE KIT, THROTTLE	1
25	60231201	PROPANE ENGINE KIT, BATTERY BOX	1
26	602355	PV15 BATTERY BRACKET	1
27	602312	PROPANE ENGINE KIT, SOLENOID COVER	1
28	602312	PROPANE ENGINE KIT, KEY SWITCH	1
29	602312	PROPANE ENGINE KIT, SOLENOID	1
30	602312	PROPANE ENGINE KIT, REGULATOR	1
31	602312	PROPANE ENGINE KIT, MUFFLER	1
32	602312	PROPANE ENGINE KIT, 12V BATTERY	1
33	35015	BELT, 350J, 6 GROOVE, POLY-V	2
34	3305201US	BUSHING, P1, 1.125"	1
35	37522	SCREW, .375-16, 1.5IN, FH, SOC	2
36	60231202	GAS HOSE, LOW PRESS, .25NPT, 60IN	1
37	2509801	GASKET, ROUND, 3/8", CUT AT 8.625"	1
38	32935	DS2 MOTORDECK GASKET 78"	1
39	25000	WASHER EXT STAR .25IN	3
40	25008S	HEX BOLT 1/4-20 X 1 1/4" SS	3
41	21842	SCREW, FLAT HEAD, M6 X 20, ZINC	2
42	3481701	SCREW, SOC BH, FLANGED, M6-25	1
43	250053S	HEX BOLT 1/4-20 X 1" SS	2
44	200180	WASHER FLAT .25 (.688OD) SS	2
45	250025	NUT, LOCK, .25-20, ZINC	2
46	32869	SCREW BH SOC M5 X 12MM	2
47	32867	WASHER, EXT. STAR, M5,ZINC	2
48	328669	WASHER FLAT SS, M5	2