

# DRP-1524

Original Service Instructions

Version 1.0



Diamatic  
622 Grant Rd  
Folcroft, PA 19032  
Tel: +1 619-295-0893





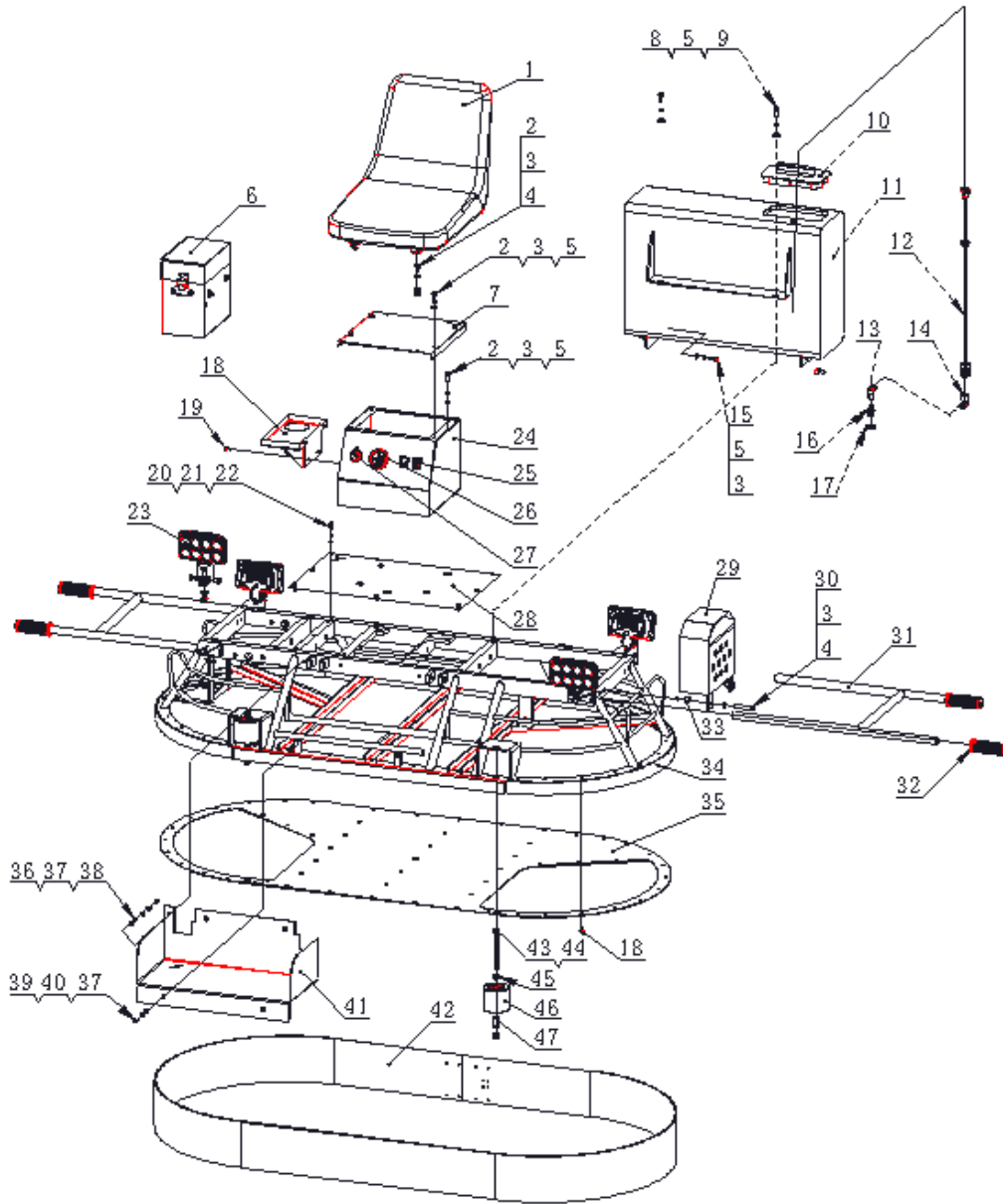
The Choice of Professionals

---

## Table of Contents

1. Guard Ring Assembly Parts Breakout: .....	3
2. Guard Ring Assembly Parts List:.....	4
3. Engine Assembly Parts Breakout: .....	5
4. Engine Assembly Parts List:.....	6
5. Propane Tank Assembly Parts Breakout: .....	7
6. Propane Tank Assembly Parts List: .....	8
7. Left Gearbox and Spider Assembly Parts Breakout: .....	9
8. Left Gearbox and Spider Assembly Parts List:.....	10
9. Right Gearbox and Spider Assembly Parts Breakout: .....	11
10. Right Gearbox and Spider Assembly Parts List: .....	12
11. Operation and Control Assembly Parts Breakout:.....	13
12. Operation and Control Assembly Parts List: .....	14
13. Polishing Pad Assembly Parts Breakout:.....	15
14. Polishing Pad Assembly Parts List: .....	16

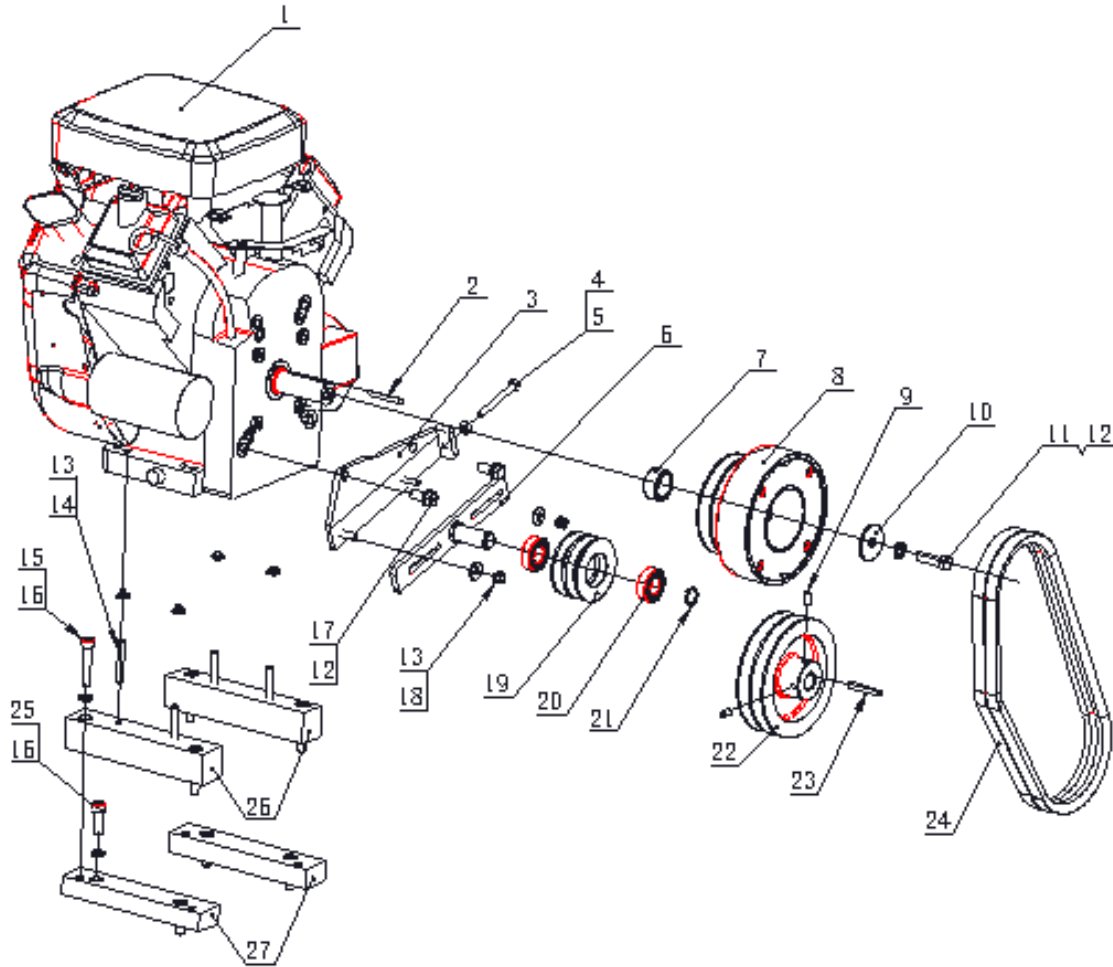
## 1. Guard Ring Assembly Parts Breakout:



## 2. Guard Ring Assembly Parts List:

Guard Ring Assy.			
Item No.	Parts No.	Description	QTY
1	n/a	Chair	1
2	GB/T5781-2000	Hex bolt M8*16	12
3	GB/T 95-1985	Plate washer 8	22
4	GB/T 889.1-2000	Nut M8	6
5	GB/T 93-1987	Spring washer 8	12
6	LJ830B-01-002	Battery box	1
	LJ830B-01-003	Cover of battery box	1
	LJ830B-01-004	Rubber plate I	1
	LJ830B-01-005	Rubber plate II	1
	LJ830B-01-006	Rubber plate III	1
	LJ830B-01-007	Rubber plateIV	1
7	LJ830B-01-008	Basement of chair	1
8	GB/T5781-2000	Hex bolt M8×25	2
9	GB/T 96-1985	Big washer 8	2
10	LJ830B-01-009	Cover of water tank	1
11	LJ860B-01-010	Water tank	1
12	n/a	Water valve	1
13	n/a	Pipe connector (10-2)	1
14	n/a	Pipe connector (10-3)	1
15	GB/T 70.1-2000	Screwm8×20	2
16	n/a	Connector (G1/4-G3/8)	1
17	n/a	Thin nut G3/8	1
18	LJ830B-01-011	Phone holder	1
19	GB/T5789-1986	Bolt M6×12	60
20	GB/T5781-2000	Hex bolt M5×16	6
21	GB/T 93-1987	Spring washer 5	6
22	GB/T 95-1985	Plate washer 5	6
23	n/a	Light	4
24	LJ830B-01-012	Chair frame	1
25	n/a	Switch	2
26	n/a	Time recorder	1
27	n/a	USD cahрге	1
28	LJ830B-01-013	Cover plate	1
29	n/a	Belt cover	1
30	GB/T5781-2000	Hex bolt M8×55	2
31	8360451	Carry bar	2
32	8369035	Rubber grip	4
33	436F-04-009	Enigne plate	2
34	LJ830B-01-001	Ring	1
35	LJ830B-01-014	Water proof plate	1
36	GB/T5781-2000	Hex bolt M6×40	3
37	GB/T 95-1985	Plate washer 6	8
38	GB/T 889.1-2000	Nut M6	3
39	GB/T5781-2000	Hex bolt M6×20	2
40	GB/T 93-1987	Spring washer 6	2
41	LJ830B-01-015	Foot plate	1
42	LJ830B-01-016	Water shreaded	1
43	GB/T5781-2000	Hex bolt M10×100	2
44	GB/T 889.1-2000	Nut M10	2
45	LJ830B-01-017	Upper bushing	2
46		Wheel (φ80×70)	2
47	LJ830B-01-018	Low bushing	2

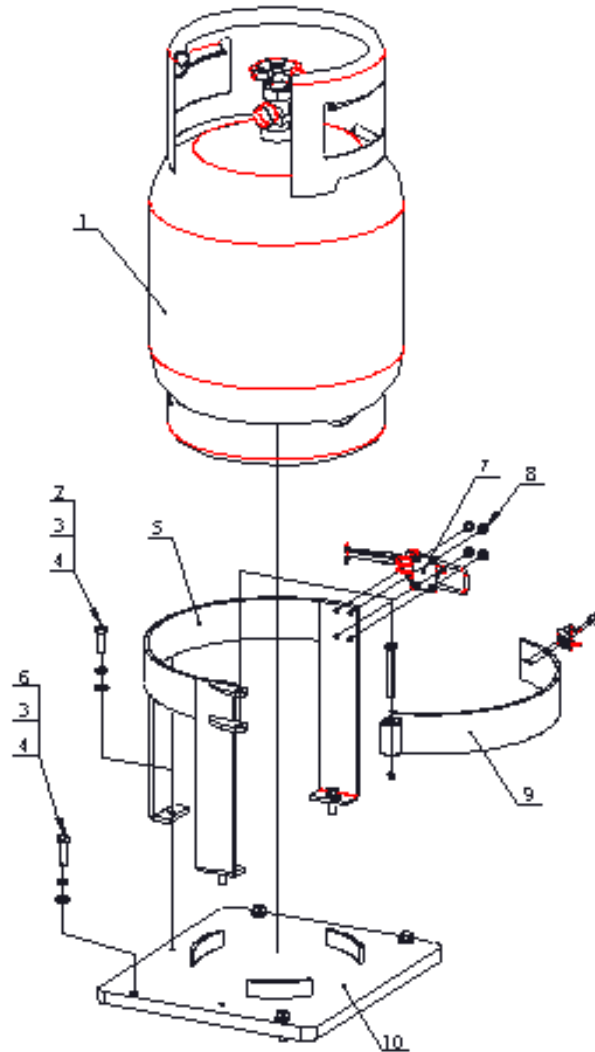
### 3. Engine Assembly Parts Breakout:



#### 4. Engine Assembly Parts List:

Engine Assy.			
Item No.	Parts No.	Description	QTY
1	DRP10001	B&S 23 HP engine	1
2	n/a	Keyway 1/4×1.9685 "	1
3	LJ836B-04-007	Tension wheel mounting plate	1
4	GB/T5783-2000	Hex bolt M8×70	1
5	GB/T 6170-2000	Nut M8	1
6	LJ836B-04-006	Tension wheel adjust plate	1
7	LJ1046A-06-012	Engine bush	1
8	CA-03E(LJ836B)	Clutch assy	1
9	GB/T 77-2000	Inner hex screwm8×16	2
10	GB/T 96-1985	Big washer $\phi$ 12×44×4	1
11	GB/T5783-2000	Hex bolt7/16-20X1.5 "	1
12	GB/T 93-1987	Spring washer M12	1
13	GB/T889.1-2000	Nut M8	6
14	GB/T 77-2000	Screw M8×40	4
15	GB/T70.1-2000	Screw M10X50	4
16	GB/T 93-1987	Spring washer 10	8
17	GB/T5783-2000	Hex bolt 7/16-14X1 "	2
18	GB/T 96-1985	Big washer $\phi$ 8×22	2
19	8361461	Tension wheel pulley	1
20	GB/T276-1994	Bearing	2
21	GB/T894.1-1986	Shaft guide	1
22	8360314	Pulley	1
23	GB1096-79	Key 6×50	1
24	GB/T11544-1992	Belt	2
25	GB/T70.1-2000	Screw M10X30	4
26	LJ830B-05-001	Engine plate 1	2
27	LJ830B-05-002	Engine plate 2	2

## 5. Propane Tank Assembly Parts Breakout:

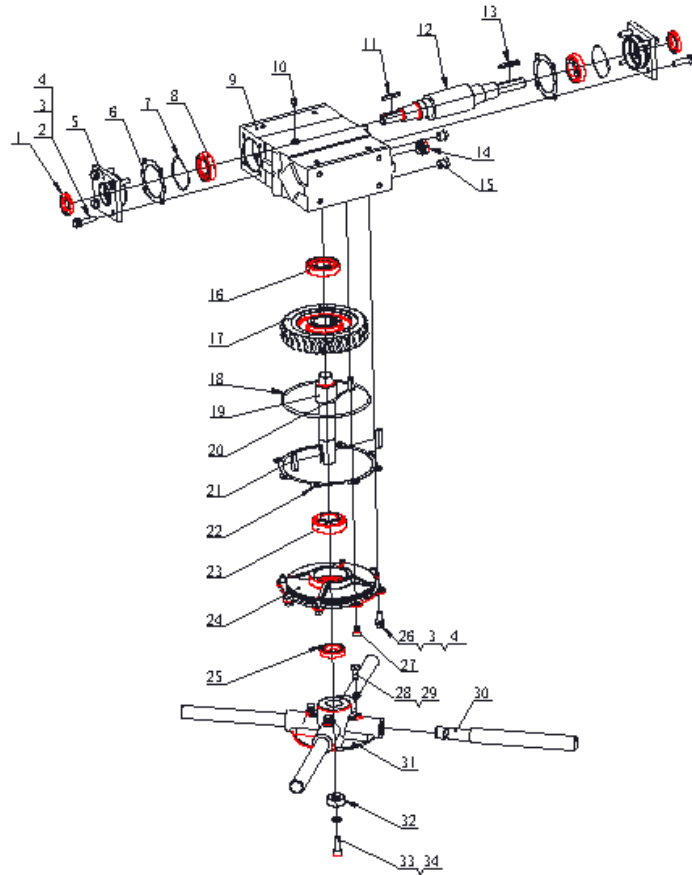


## 6. Propane Tank Assembly Parts List:

<b>Gas Tank Assy.</b>			
Item No.	Parts No.	Description	QTY
1	MP10019	Gas tank	1
2	GB/T5781-2000	Hex bolt M8×25	3
3	GB/T 93-1987	Spring wahser 8	7
4	B/T 95-1985	Plate washer 8	7
5	LJ830B-06-001	Tank frame	1
6	GB/T5781-2000	Hex bolt M8×30	4
7	n/a	Locker	1
8	GB/T818-2000	Screw M6×8	6
9	LJ830B-06-002	Tank clamp	1
10	LJ830B-06-003	Weight	1



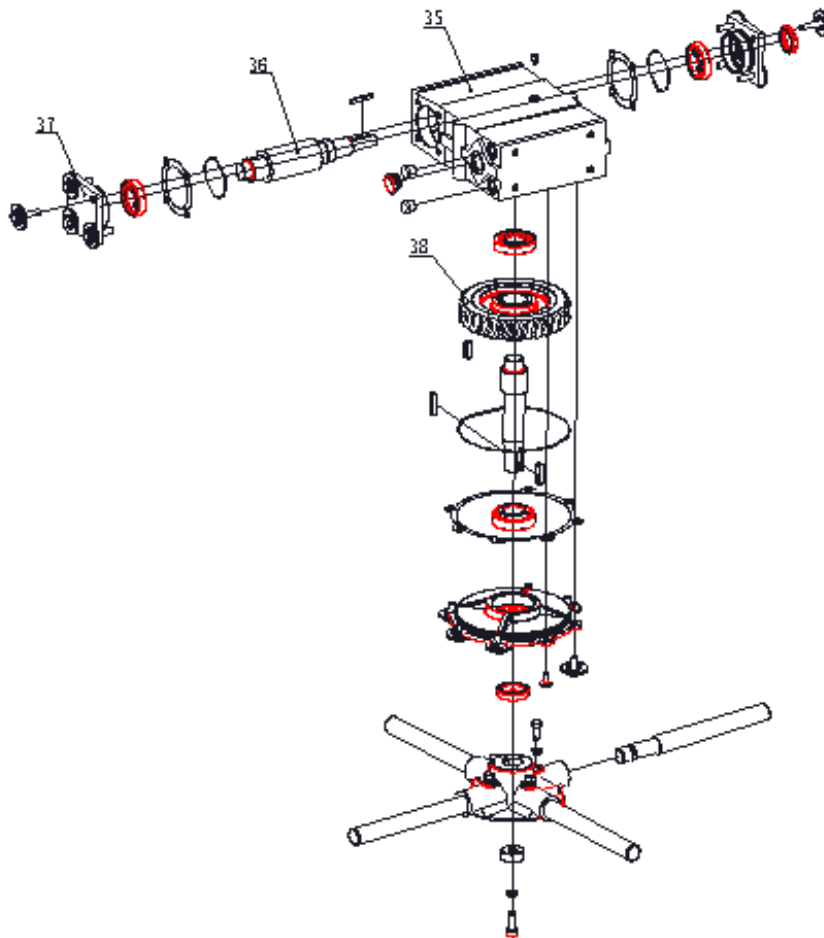
## 7. Left Gearbox and Spider Assembly Parts Breakout:



## 8. Left Gearbox and Spider Assembly Parts List:

left & Right Gearbox and Spider			
Item No.	Parts No.	Description	QTY
1	GB/T9877.1-1988	Oil seal	3
2	GB/T5783-2000	Hex bolt	16
3	GB/T93-1987	Spring washer	28
4	GB/T95-1985	Plate washer	28
5	LJ1046-02-005	Cober	3
6	LJ1046-02-013	Gasket	4
7	GB/T3452.1-2005	"O"ring	4
8	GB/T297-1994	Bearing	4
9	LJ1046-02-001	Left gearbox shell	1
10	GB/T8159-1987	Relese valve	2
11	GB1096-1979	Keyeay	1
12	LJ836B-02-002	Left worn shaft	1
13	GB1096-1979	Keyt	1
14	JB/T7941.2-1995	Check windows	2
15	JPC-80-PE06	Oil drum	4
16	GB/T297-1994	Bearing	2
17	LJ1046-02-008	Left worn gear	1
18	GB/T3452.1-2005	"O"ring	2
19	LJ1046-02-006	Worn gear shaft	2
20	GB1096-1979	Key	2
21	GB1096-1979	Key	4
22	LJ1046-02-012	Big gasket	2
23	GB/T297-1994	Bearing	2
24	LJ1046-02-003	Cover	2
25	GB/T9877.1-1988	Oil seal	2
26	GB/T5783-2000	Hex bolt	12
27	GB/T70.3-2000	Inner hex bolt	2
28	LJ830B-02-001	Hex bolt	4
29	GB/T6172.1-2000	Thin nut	8
30	LJ830B-02-002	Spider shaft	8
31	LJ830B-02-003	Spider	2
32	LJ1046A-01-007	Bushing	2
33	GB/T70.1-2000	Hex bolt	2
34	GB/T93-1987	Spring washer	2
35	LJ1046-02-002	Right gearbox shell	1
36	LJ836B-02-003	Righ worn shaft	1
37	LJ1046-02-004	Cover	1
38	LJ1046-02-009	Right worn gear	1

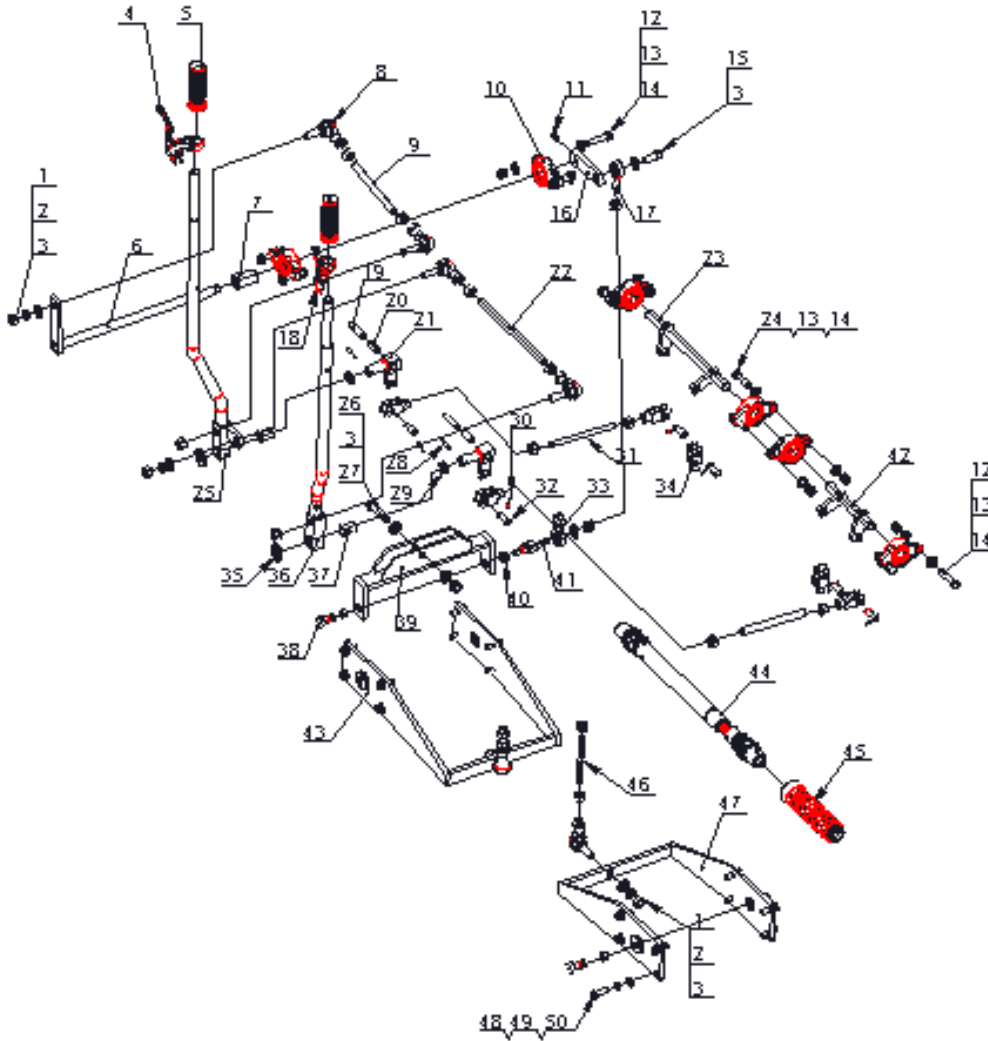
## 9. Right Gearbox and Spider Assembly Parts Breakout:



## 10. Right Gearbox and Spider Assembly Parts List:

left & Right Gearbox and Spider			
Item No.	Parts No.	Description	QTY
1	GB/T9877.1-1988	Oil seal	3
2	GB/T5783-2000	Hex bolt	16
3	GB/T93-1987	Spring washer	28
4	GB/T95-1985	Plate washer	28
5	LJ1046-02-005	Cober	3
6	LJ1046-02-013	Gasket	4
7	GB/T3452.1-2005	"O"ring	4
8	GB/T297-1994	Bearing	4
9	LJ1046-02-001	Left gearbox shell	1
10	GB/T8159-1987	Relese valve	2
11	GB1096-1979	Keyeay	1
12	LJ836B-02-002	Left worn shaft	1
13	GB1096-1979	Keyt	1
14	JB/T7941.2-1995	Check windows	2
15	JPC-80-PE06	Oil drum	4
16	GB/T297-1994	Bearing	2
17	LJ1046-02-008	Left worn gear	1
18	GB/T3452.1-2005	"O"ring	2
19	LJ1046-02-006	Worn gear shaft	2
20	GB1096-1979	Key	2
21	GB1096-1979	Key	4
22	LJ1046-02-012	Big gasket	2
23	GB/T297-1994	Bearing	2
24	LJ1046-02-003	Cover	2
25	GB/T9877.1-1988	Oil seal	2
26	GB/T5783-2000	Hex bolt	12
27	GB/T70.3-2000	Inner hex bolt	2
28	LJ830B-02-001	Hex bolt	4
29	GB/T6172.1-2000	Thin nut	8
30	LJ830B-02-002	Spider shaft	8
31	LJ830B-02-003	Spider	2
32	LJ1046A-01-007	Bushing	2
33	GB/T70.1-2000	Hex bolt	2
34	GB/T93-1987	Spring washer	2
35	LJ1046-02-002	Right gearbox shell	1
36	LJ836B-02-003	Righ worn shaft	1
37	LJ1046-02-004	Cover	1
38	LJ1046-02-009	Right worn gear	1

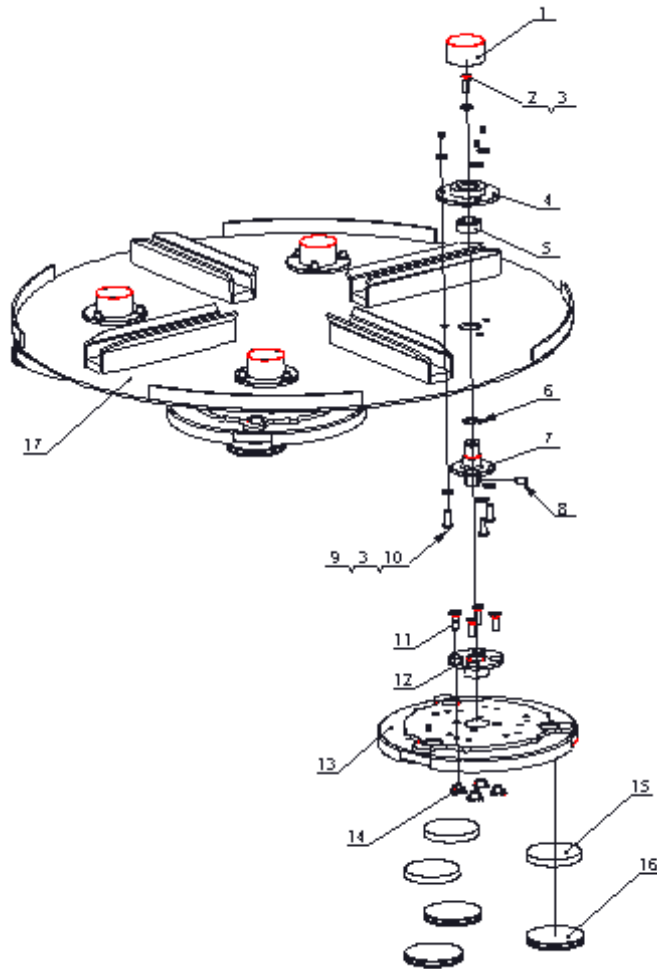
## 11. Operation and Control Assembly Parts Breakout:



## 12. Operation and Control Assembly Parts List:

Operation & Control Assy.			
Item No.	Parts No.	Description	QTY
1	GB/T 6170-2000	M14 Hex bolt	19
2	GB/T 93-1987	M14 spring washer	4
3	GB/T 95-1985	M14 Plate washer	8
4	DRP10002	Throttle	1
5	RC-04	Handle grip	2
6	LJ830B-04-001	Rotate shaft	1
7	LJ830B-04-002	Bush	1
8	GB/T9162-2001	Bearing	6
9	LJ830B-04-003	2 head bolt I	1
10	GB/T7810-1995	Bearing base FL204	6
11	GB/T78-2000	Inner hex screw M8X16	1
12	GB/T5781-2000	Hex bolt M12x55	8
13	GB/T 95-1985	Plate washer M12	20
14	GB/T 889.1-2000	Nut M12	10
15	GB/T5783-2000	Hex bolt M14X35	1
16	8360512	Roate plate	1
17	GB/T9162-2001	Bearing	1
18	n/a	Stop switch	1
19	GB/T119.1-2000	Φ12x55 pin	2
20	ZTOM20	12X14X30 copper bushing	2
21	8360501	T plate	2
22	LJ830B-04-004	2 head bolt II	1
23	LJ830B-04-005	Long welding shaft	1
24	GB/T5781-2000	Hex boltm12x30	2
25	LJ830B-04-006	Right handle	1
26	GB/T5781-2000	Hex bolt M14x60	1
27	GB/T 889.1-2000	Nut M14	1
28	GB/T879.2-2000	Srping pin 5X35	2
29	8361196	Bushing of T shaft	2
30	GB/T91-2000	Pin φ4x25	6
31	8360506	2 head threaded rod	2
32	GB/T882-2000	Shaft pin φ12x32	6
33	GB/T9162-2001	Bearing	1
34	8360495	U connector	6
35	GB/T 96-1985	Washer 14	2
36	LJ830B-04-007	Left handle	1
37	ZTOM20	20X23X430 copper bushing	2
38	8360485	Postion bolt of gearbox shell	3
39	LJ836B-01-004	Hook of gearbox	1
40	ZTOM20	16X18X10 copper bushing	4
41	LJ830B-04-008	Postion bolt of gearbox shell	1
42	LJ830B-04-009	Short shaft	1
43	LJ830B-04-010	Right gearbox frame	1
44	8360488	Shaft connector	1
45	HJ125-A2130C000	Rubber portect	1
46	8360508	2 head threaded rod	2
47	LJ830B-04-011	Left gearbox frame	1
48	GB/T5781-2000	Hex bolt M10x30	16
49	GB/T 93-1987	Spring washer 10	16
50	GB/T 95-1985	Plate washer 10	16

## 13. Polishing Pad Assembly Parts Breakout:



### 14. Polishing Pad Assembly Parts List:

Polishing Pad Assy.			
Item No.	Parts No.	Description	QTY
1	LJ830B-03-001	Dust cover	8
2	GB/T 6191-1986	Screw M8	8
3	GB/T 95-1985	Plate washer M8	8
4	LJ830B-03-002	Bearing base	8
5	GB/T9163-2000	Bearing GE20ES	8
6	GB/T894.1-1986	O ring	8
7	LJ830B-03-003	Shaft	8
8	n/a	Ball bolt M8	8
9	GB/T 70.2-2000	Screw M8	24
10	GB/T 889.1-2000	Nut M8	24
11	GB/T 70.3-2000	Screwm8×25	32
12	LJ830B-03-004	Disc holder	8
13	LJ830B-03-005	Disc holder	8
14	n/a	Nut M8	32
15	n/a	Soft plate	24
16	n/a	Diamond	24
17	LJ830B-03-006	Drive disc	2